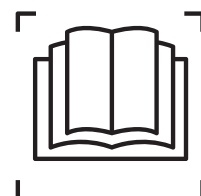


**GAS COOKERS
WITH OVEN**

**INSTRUCTION FOR INSTALLATION AND USE
DIE GEBRAUCHS UND INSTALLATIONSANWEISUNG
NOTICE D'INSTALLATION ET D'EMPLOI
INSTRUCTIE VOOR INSTALLATIE EN GEBRUIK
NÁVOD K OBSLUZE A INSTALACI
INSTRUKCJE MONTAŻU I OBSŁUGI
GHID DE INSTALARE SI UTILIZARE**



**SPT 60 GL, SPT 60 GLS, SPT 60 S GLS, SPT 62 GLS, SPT 90 GL, SPT 90 GLS,
SPT 90/5 GL, SPT 90/5 GLS, SPT 93 GLS**





CONTENT

Declaration of a standards conformity	3
Instruction for use	11
Cleaning and maintenance	12

INHALT



Die Normenübereinstimmungsdeklaration	13
Gebrauchsanweisung	21
Die Reinigung und Instandhaltung	22

CONTENU



Déclaration de conformité	23
Mode d'emploi	30
Nettoyage et entretien	31

INHOUD



De verklaring van overeenstemming met de normen	32
Gebruiksaanwijzing	38
Reiniging en onderhoud	39

OBSAH



Prohlášení o souladu s normami	42
Návod k použití	48
Čistění a údržba	49

TREŚĆ



Oświadczenie o zgodności z normami	50
Instrukcja obsługi	55
Czyszczenie i konserwacja	56

CONȚINUT



Declarație de conformitate cu regulile	63
Ghid de utilizare	68
Curățare și mentenanță	69

DECLARATION OF A STANDARDS CONFORMITY

The producer confirms that the devices agree with 2016/426/EU, 2014/30/EU, 2014/35/EU standards, rule nr. 22/1997 sb., nr. 258/2000 sb., nr. 258/200 sb., nr. 118/2016 sb., 117/2016 sb. and with relevant government orders. Instalation must be done with respect to valid standards. Attention, the producer refuses any responsibility in case of direct or indirect damages which are caused due to wrong instalation, incorrect intervention or modification, insufficient maintenance, incorrect use and also possibly caused by other reasons presented by items in sale conditions. This appliance is set only for skilled use and must be operated by qualified persons only. Parts set and secured by the producer or accredited person must not be rebuilt by user.

TECHNICAL DATA

Label with technical data is placed on the back side of the device. Study the electrical diagram of connection and all following information before instalation.

Type of product	Convection oven performance GN 1/1 (kW)	Burner performance (kW)	Voltage (V/Hz)
SPT 60 GL	3,13	2x3 + 2x3,6	230/N/50
SPT 90/5 GL	3,13	2x3 + 3x3,6	230/N/50
SPT 90 GL	3,13	3x3 + 3x3,6	230/N/50
SPT 60 GLS	3,13	4x4,5	230/N/50
SPT 90/5 GLS	3,13	5x4,5	230/N/50
SPT 90 GLS	3,13	6x4,5	230/N/50
SPT 62 GLS	3,13	2x8	230/N/50
SPT 93 GLS	3,13	3x8	230/N/50

PACKING AND DEVICE CHECK

The device leaves our stocks properly packed with appropriate symbols and labels. There are also appropriate instructions for use. In case the packing shows bad handling or damage, it must be reclaimed at transporter immediately by writing and signing of a damage protocol.

Important notice:

-This product is only intended for use inside.

Never use the appliance if it has a damaged supply cable or plug, if it is not working correctly, has fallen to the ground and been damaged or fallen into water. In such cases take the appliance to a professional service in order to verify that it is safe and works correctly.

- only for professional use
- this instructing guide must be read properly and carefully because it contains important information about safety elements, installation, use
- these recommendations refer to this product
- this product corresponds with valid standards
- this guide must be properly deposited for future use
- keep the children away from manipulation with the product
- when selling or moving the product to another place it is necessary to make yourself sure that the staff or the professional service has got acquainted with control and installation instructions from enclosed guide
- only authorised person can operate the product
- it can not be switched on without supervision
- we recommend to have the product checked by professional service min. once a year

PLACEMENT

The device must be installed in well ventilated room what is necessary for regulation of the function of the device (technician must go by valid standard (EN....)). If the device is situated close to the wall or if it is in contact with the furniture walls, these walls must resist the temperatures ranging to 90°C. Installation, setting, putting into operation must be done by qualified person who is competent for this and according to the valid standards.

Wrap up the device and check whether it was not damaged during transport. Settle the device on horizontal surface (max imbalance 2°). Settle the device under the fumehood to eliminate water steam and bad smell. The device can be installed separately or in a set with devices of our production. Min. distance 10 cm from other subjects must be kept. It is also necessary to prevent our product from contact with combustible materials. In this case you must make corresponding changes to secure heat isolation of combustible parts. Safety measures from the standpoint of the fire protection according to EN 061008čl. 21:

TECHNICAL INSTRUCTIONS FOR INSTALATION AND REGULATION

Important:

The manufacturer does not provide warranty for defects caused by improper use, failure to instructions contained in the attached instructions for use and mistreatment of the appliances.

Installation, adjustment and repair of appliances for kitchens, as well as their removal because of possible damage to the gas can be carried out only under a maintenance contract, this contract may be signed with an authorized dealer, and must be complied with regulations and technical standards and regulations regarding the installation, power supply, gas connection and health & safety system.

These instructions are intended for the qualified technician who must perform the installation, put it into operation and test the appliance.

Any activity as settings, placement, rebalancing etc, must be made only when is device disconnected from electricity. If it is necessary to have the device connected to the electricity you must keep the highest attention to avoid any injuries.

DEVICE INSTALATION

Instalation, setting, rebuilding for another gas type, putting into operation must be done by qualifi ed person whois competent for this and according to the valid standards. The device can be instalated in good ventilated room. When it is possible place the device under the fumehood to suck off the products of combustion. Air needy to the burning is $2m^3/h/kW$ of the performance of the instaled device. The device can be instalated separately or in a set with devices of our production. Min. distance 10 cm from other subjects must be kept. It is also necessary to prevent our product from contact with combustibile materials. In this case you must make corresponding changes to secure heat izolation of combustibile parts (for example:place between the device and combustibile material azbestos plate).

SAFETY MEASURES FROM THE STANDPOINT OF THE FIRE PROTECTION ACCORDING TO EN 061008 ČL. 21

- only adults can operate the device
- device must be safely used in common surroundings according to EN 332000-4-462; EN 332000-4-42. You must switch the gas device off under the circumstances leading: to the danger of the temporary rise of the combustion gas or steam or during works when there is a big possibility of rise of the temporary fire danger or explosion (for example: to stick linoleum, PVC etc.).
- before you start to instal the device you must get the licence for connection to the gas feeder from the gasworks
- device must be placed so as to stand or hang on the noncombustible surface which is on each side 10 cm larger than the device. No subjects from combustible materials can be placed directly on the device or in distance which is shorter than safety distance (the shortest distance is 50 cm in the direction of the heat emission and 10 cm in other directions).- safety distances from various materials of different degree of combustion and information about the degree of comb. of common building materials - see chart:

Chart:

Combustion degree of building materials classified according to the combustion degree of materials and products (EN 730823)

A noncombustible	granit, sandstone, concretes,bricks, ceramic wallfacing tiles, plaster
B uneasily combustibile	akumine, heraklite, lihnos, itavere
C1 hardly combustibile	leafy wood, plywood, sirkoklit, rare paper formica
C2 middle combustibile	fibreboards, solodure, cork boards, rubber,floor-coverings
C3 easily combustibile	wood-fibreboards, polystyrene,polyurethane, PVC

Devices must be instalated in a safe way. When instaling you must respect corresponding project, safety and hygienic orders according to:

- EN 061008 fire protection of local devices and sources of heat
- EN 332000 (33 2000-4-482; 33 2000-4-42) surrounding for electric devices ČSN EN 1775 Gas supplying
- Gas fi ttings in the buildings - the highest operational pressure < 5 bar - operation demands
- § 10 law nr. 185/2001 Sb. about waste

CONNECTION OF THE ELECTRIC CABLE TO THE ELECTRICITY

Installation of electric feeder - This feeder must be separately protected by a safety fuse according to the specific electric stream which depends on the wattage of the installed device. Check the wattage on the label at the back of the device. Connect the device directly to the electricity but you must put the switch between the device and electric net. The switch must be placed in min. distance 3 mm between the particular contacts according to the standards and loading. The feeder of grounding (yellow-green) cannot be interrupted by this switch. In every case feeding cable must be placed so that no point of the cable will reach the temperature which is 50°C higher than the temperature of the surrounding. Before connecting the device check that:

- safety fuse of the feeder and inner mains can stand the loading of the device (see label of the matrix)
- mains are equipped with effective grounding according to standards (ČSN) and conditions given by law
- socket or switch of the feed is well accessible from device

We refuse any responsibility in case of not respecting above mentioned rules. Before the first use it is necessary to remove all the protection foil and to clean the device - see chapter „cleaning and maintenance“.

Maintenance: We recommend to have the device checked once a year by the professional service. Only qualified or competent persons can do interventions in the product.

PIPE FOR GAS CONNECTION

It must first determine if the appliance is made for the same type of gas that will be used and thus conforms to the indications on the label the type of gas to be used.

The conversion of gas pan to another type of gas you need to check if it corresponds to the type of gas bearing, which is recommended in this guide.

Connecting the appliance to the gas distribution must be towable to a steel or copper tube complying with applicable national requirements. This must be controlled on regular basis and changed if needed. Every appliance must be equipped with shut-off valve and quick shut-off valve. Quick shut-off valve must be freely accessible and within reach of the device. After installation, is necessary to check whether there is a gas leak. To find a gas leak you can use soapy water or spray for gas leak detection.

Do not use corrosive substances!! All our appliances are carefully controlled. Gas type, pressure and of the categories listed named on the technical information plate.

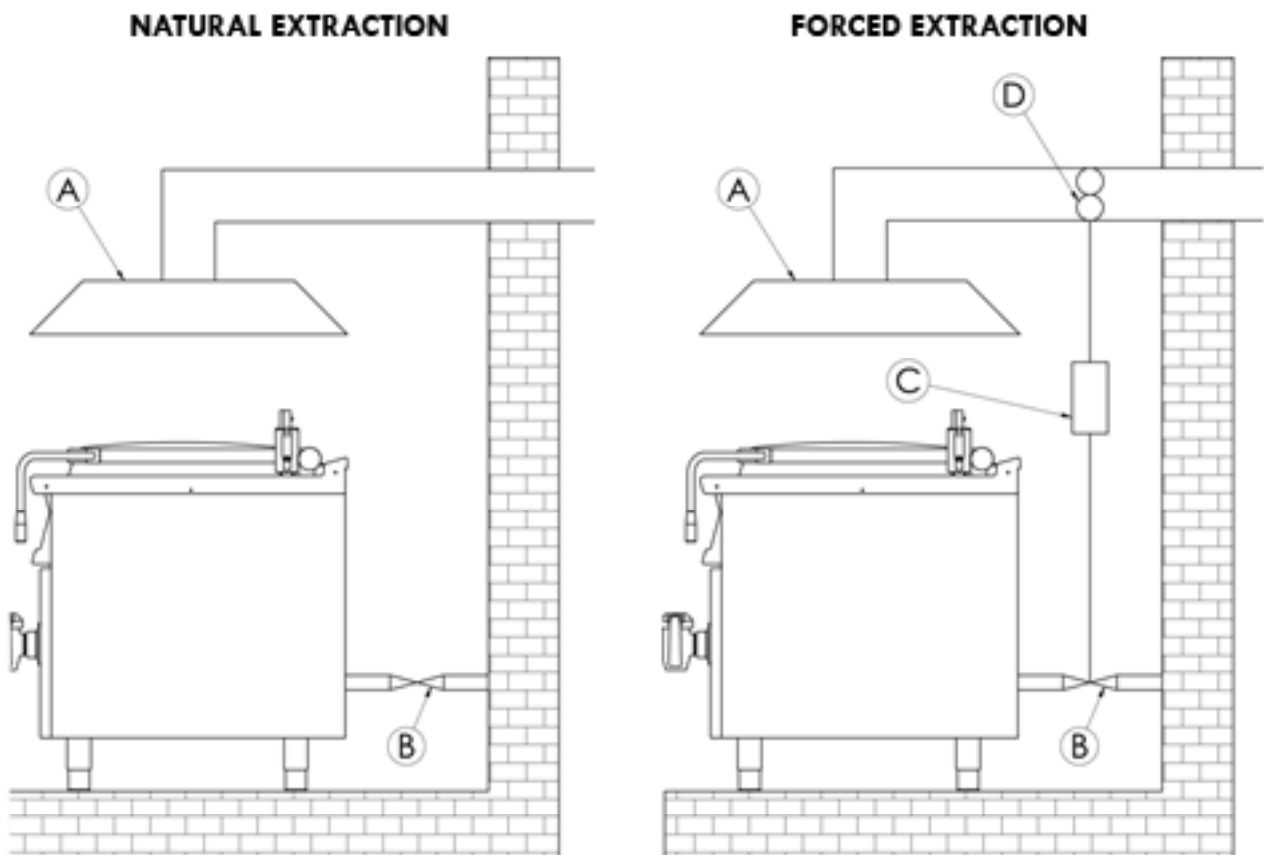
Liquid gas connection:

Pressure for liquid gas connection must be 28 or 30 mbar for propane/butane and 37 mbar for propane. It is necessary to check the technical label ,gauge the pressure and check the parameters of the nozzle is installed with the required parameters of the nozzle according to the manufacturer's. If the pressure is lower than 25mbar or higher than 37 mbar, THE APPLIANCE SHALL NOT TO BE CONNECTED.

Gas Connection:

Pressure for methane connection must be 18 or 20 mbar. It is necessary to check the technical label ,gauge the pressure and check the parameters of the nozzle is installed with the required parameters of the nozzle according to the manufacturer's. If the gas pressure is lower than 15mbar or higher than 22,5 mbar, THE APPLIANCE SHALL NOT TO BE CONNECTED.

CHIMNEY DESIGN FOR AN APPLIANCE –TYPE A



Outlet hood with natural extraction (A). Flue gas provides a natural chimney draft.

Outlet hood without natural extraction. Flue gas is secured by a fan (D) (forced extraction). In this case, it is necessary to secure the connection with a gas feeder (B) to turn off the gas supply in case of failure.

CHECK THE GAS TYPE THE DEVICE IS ADJUSTED FOR

Our appliances are certified and regulated the natural gas (see technical plate). Conversion or adaptation to a different type of gas must be performed by authorized personnel. Nozzles for different types of gas are in a bag provided with the gas cooker and are marked in hundredths of mm (table of technical data pipes).

Nozzle replacement and pressure adjustment (Fig. 1, 2, 3)

It should proceed as follows:

Remove grid from top part of cooker, whole top part of the burner and GN (note 1, 2, 3, 4, fig. 1)

Unscrew nozzle (note 5, fig. 2, 3) with wrench and replace it for another by the desired type of gas.

Perform the assembly in reverse order. Make sure that different parts fit closely to each other. Air control (fig. 3, note 8) is always fully open.

Pilot burner can be adjust so, that is need untie safety nut (note 6, fig. 3) with wrench. Then with wrench number, tie or untie nozzle (note 7, fig. 3) and adjust the flame into desired size.

Important:

After what was done adjusting the appliance to another type of gas, it is necessary to change the gas indicated on the technical plate located in a visible location on the back of the device.

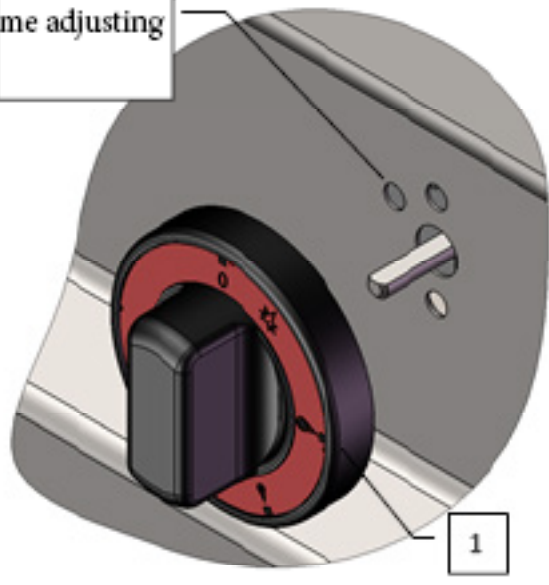
Adjusting flame at reduced performance „SAVING“

Flame at reduced performance „SAVING“, can be set with screw placed in the valve body (note. 1, fig. 5) positioned next to valve shaft

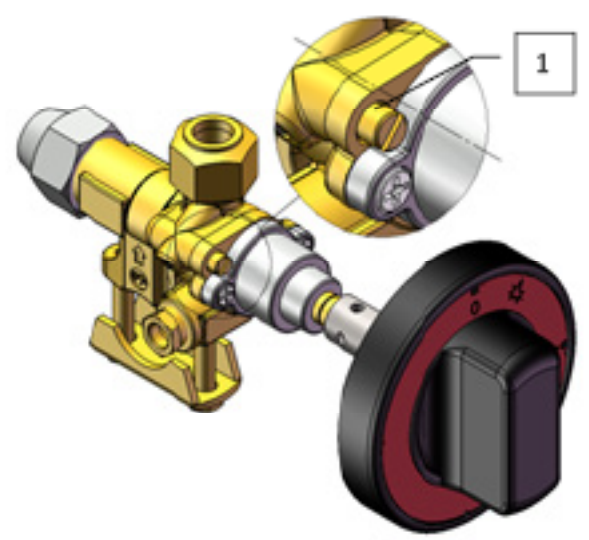
For adjusting proceed as follows:

- Remove the control knob (note. 1, fig. 4) pulling towards you
- Adjust the flame through hole with flat screwdriver

Hole for flame adjusting



4



5

INSTRUCTIONS FOR USE

Ignition of the burner and regulation of the performance : (pictures 1,2)

Turn the regulation knob of the competent burner (A) into position „ignition of the main burner“ and then press it down and hold it. Ignite the burner with lighter or matches. After ignition of the burner hold the knob (A) pressed several seconds till the thermofuse gets hot. Then release the button. If the flame goes out repeat the whole process once more.

Lower performance sporo: (pictures 1,2)

By turning the knob (A) into position „sporo“ you set the burning of the burner for sporo (lower performance)

How to switch the burner off: (pictures 1,2)

Turn the knob (A) into position“0“.

Control of the electric oven

Warning!

Before using the machine for the first time, it is necessary to clean it properly with a rag soaked in a solution of water and detergent. Dry properly after cleaning. Never leave the machine unattended when it is in operation! Turn control knob C to the right, this turns on the oven fan. This signalled by green indicator E. Using knob C again, set the desired oven temperature. Orange indicator D signals operation of the heating element and it goes off when the oven reaches the set temperature. Control knob F is a passive timer, which only rings upon lapse of the set time, but does not automatically switch off the oven.

Instructions for sucking off the gas products of combustion:

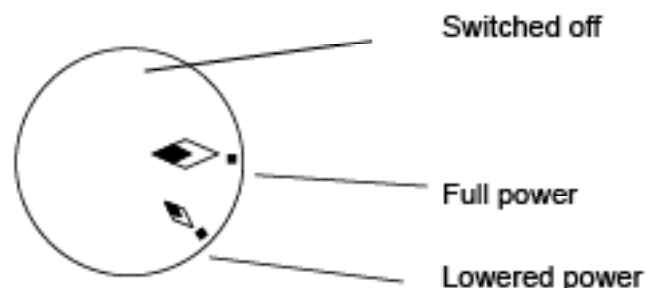
Type A devices (see the label with characteristics). Appliance of finish A, that is the appliance which is not made for being connected with the chimney or other device for sucking off the products of combustion out of the space where the appliance is situated. These appliances must be situated in the room with sufficient ventilation according to the ČSN 12 7010:1986 and ČSN 1207040:1986. It is necessary to prevent the accumulation of the harmful matters in big concentration (secure the requestment of hygienic standard for working surrounding sv. 39/78 guideline 46).

PICT. 1



- (A) BURNER KONTROL KNOB
- (B) THERMOSTAT
- (C) ORANGE INDICATOR
- (D) GREEN INDICATOR
- (E) PASSIVE TIMER

PICT. 2



CLEANING AND MAINTENANCE

It is recommended to have the device checked by the professional service min. once a year. All interventions must be done by qualified person who is competent for this.

ATTENTION!

The device cannot be cleaned by direct or pressure water. Clean it daily. Daily maintenance keeps longer useful life and efficiency of the device. Before cleaning make sure to have disconnected the device from electricity. Always switch off the main feeder to the device. Stain-less parts wash with moist cleaning cloth and detergent without groove parts than wash it with clean water and dry it by the cloth. Do not use abrasive and corrosive detergents.

WHAT TO DO IN CASE OF BREAK-DOWN

Switch off the electric feeder and call seller's professional service.

INDICATION:

Guarentee does not cover all consumption parts succumable to common wear (rubber seals, bulbs, glas and plastic parts etc.). The guarantee does not refer to the devices which were not instaled in correspondance with instructions - by qualified worker, in confirmity with standards and when somebody handled incompetently the device (interventions into inner equipment) or the device was operated by nonqualified staff or at variance with instructions for use. Guarantee does not also cover the damages caused due to influence of nature or other outer intervention.

DIE NORMENÜBEREINSTIMMUNGSDEKLARATION

Der Produzent erklärt, daß die Geräte in einer Übereinstimmung mit den Vorschriften der 2009/142/ES, 2014/30/ES, 2014/35/ES dem Gesetz Nr. 22/1997 sb., nr. 258/2000 sb., nr. 38/2001 sb., nr. 616/2006 sb., 17/2003 sb. der Sammlung und zugehörigen Regierungsverordnungen stehen. Die Installation muss mit der Absicht auf geltende Normen durchgeführt werden. Vorsicht, im Falle einer direkten oder indirekten Beschädigung, die sich auf falsche Installation, unrichtigen Eingriff oder Anpassungen, ungenügende Instandhaltung, unrichtige Verwendung beziehen, und welche eventuell durch andere Ursachen, als in Punkten der Verkaufsbedingungen angeführt ist, so verzichtet der Importeur auf jegliche Verantwortung. Dieses Gerät ist nur für fachliche Verwendung bestimmt und muß durch qualifizierte Person bedient werden. Teile, die nach der Einstellung durch den Hersteller oder durch befugte Person gesichert wurden, dürfen vom Benutzer keineswegs umgestellt werden.

DIE TECHNISCHEN DATEN

Das Schild mit technischen Angaben ist auf der Rückseite des Gerätes angebracht. Studieren sie vor der Installation das elektrische Schema der Einschließung und alle folgende Informationen durch.

Art des Produkts	Heißluftofen Leistung GN 1/1 (kW)	Brennerleistung (kW)	Spannung (V/Hz)
SPT 60 GL	3,13	2x3 + 2x3,6	230/N/50
SPT 90/5 GL	3,13	2x3 + 3x3,6	230/N/50
SPT 90 GL	3,13	3x3 + 3x3,6	230/N/50
SPT 60 GLS	3,13	4x4,5	230/N/50
SPT 90/5 GLS	3,13	5x4,5	230/N/50
SPT 90 GLS	3,13	6x4,5	230/N/50
SPT 62 GLS	3,13	2x8	230/N/50
SPT 93 GLS	3,13	3x8	230/N/50

DIE VERPACKUNGS-, UND VORRICHTUNGSKONTROLLE

Die Vorrichtung verlässt unsere Lager in ordentlicher Verpackung, auf deren die entsprechenden Symbole und Bezeichnungen stehen. In der Verpackung befindet sich entsprechende Bedienungsanweisung. Falls die Verpackung eine schlechte Behandlung oder Anzeichen der Beschädigungen vorweist, muß dieses sofort beim Transporteur reklamiert werden und zwar durch Unterzeichnung eines Schadensprotokolles.

Wichtige Hinweise

-Das Erzeugnis ist nur zur Verwendung im Innenraum bestimmt.

Verwenden Sie den Verbraucher nie, wenn die Speisezuleitung oder der Stecker beschädigt sind, das Gerät nicht richtig arbeitet, ist auf den Boden gefallen und hat sich beschädigt oder ist ins Wasser gefallen. Bringen Sie in solchen Fällen den Verbraucher zu einem Fach-Kundendienst zur Überprüfung seiner Sicherheit und richtiger Funktion.

- Nur für professionellen Verbrauch geeignet
- Diese Bedienungsanleitung muss ordentlich und bedächtig gelesen werden, weil sie wichtige Informationen über Sicherheitsmerkmale, Installation und Anwendung beinhaltet
- Diese Empfehlungen beziehen auf diesen Produkt
- Der Produkt entspricht geltenden Normen
- Diese Anleitung muß ordentlich für die zukünftige Verwendung hinterlegt werden
- Hindern Sie den Kinder an Vorrichtungsm Manipulation
- Beim Verkauf oder Verlegung ist es notwendig sich zu überzeugen, daß die Bedienstperson oder Fachservis sich mit der Beherrschung und Installationsanweisung in beiliegender Anleitung, anvertraut gemacht haben.
- Das Produkt darf nur eingeschulte Bedienung bedienen
- Das Produkt darf nicht ohne Aufsicht ins Betrieb gesetzt sein
- Es ist empfohlen, minimal einmal pro Jahr eine Fachkontrolle durchführen zu lassen
- Bei eventueller Reparatur der Teilenumtauschungen müssen ausschließlich Originalteile angewendet werden
- Das Produkt darf nicht durch einen Wasserstrahl oder Druckbrause gereinigt werden
- Schalten Sie alle Leitungen (Wasser, Elektrizität, Gas) bei einer Störung oder beim schlechten Lauf aus und rufen Sie autorisierten Service an
- Der Hersteller verzichtet auf jegliche Verantwortung bei Störungen, die durch fehlerhafte Installation, Nichteinhaltung o.a. Empfehlungen, andere Verwendung u.ä, verursacht wurden

DIE PLATZIERUNG

Es ist unbedingt notwendig, zu der Regulation der Gerätetätigkeit, daß das Milieu - der Küche -, wo das Gerät installiert wird, sehr gut belüftbar ist (im Hinblick darauf: sei der Techniker sich mit geltenden Normen (EN) richtet). Wenn die Einrichtung so plaziert wird, daß sie im Mobiliarwandkontakt stehen wird, so müssen diese einer Temperatur von 90°C widerstehen. Die Installation, Herrichtung, Inbetriebnahme müssen durch qualifizierte Person, die zu solchen Vorkehrungen eine Befugnis hat und dies laut geltenden Normen nach, durchgeführt werden.

Packen Sie das Gerät aus und kontrollieren Sie , ob sich das Gerät während des Transportes nicht beschädigt hat. Platzieren Sie das Gerät auf eine waagrechte Fläche (maximale Unebenheit bis 2°). Stellen Sie das Gerät unter den Haubenabzug, damit Sie die Wasserdämpfe und den Geruch eliminieren. Das Gerät kann selbständig oder in einer Reihe mit Geräten unserer Herrstellung installiert werden. Es ist notwendig die minimale Entfernung von 10 cm zu anderen Gegenständen einzuhalten, so dass die Wärmeisolierung der brennbaren Teilen gewährleistet wird.

Das Gerät kann selbständig oder in einer Reihe mit Geräten unserer Herrstellung installiert werden. Es ist notwendig die minimale Entfernung von 10 cm zu anderen Gegenständen einzuhalten, so dass die Wärmeisolierung der brennbaren Teilen gewährleistet wird.

TECHNISCHE HINWEISE ZUR INSTALLATION UND REGELUNG

Wichtig:

Zur Benützung AUSSCHLIEßLICH nur für spezialisierte Techniker

Instruktionen, die folgen, wenden sich an den Techniker, der für die Installation qualifiziert ist, damit er alle Operationen mit der korrektesten Weise und laut der gültigen Normen durchführt.

Wichtig

Jeweils irgendeine Tätigkeit, die mit der Regulation verbunden ist u.ä, muß nur mit der aus dem Netz ausgezogenen und abgeschalteten Einrichtung vollgezogen sein.

Solange das Gerät unter der Spannung notwendig zu halten ist, eine höchste Vorsicht zu beachten vorliegt.

DIE SICHERHEITSVORRICHTUNGEN AUS DER SICHT DES FEUERSCHUTZES LAUT EN. 061008 ČL. 21

Die Einrichtungsbedienung dürfen nur Erwachsene ausführen

• Das Gerät darf sicher in gewöhnlicher Umgebung laut EN 332000-4-482; EN 332000-4-42 verwendet werden.

• Es ist notwendig das Gerät so platzieren, daß es auf einer unbrennbaren Grundlage steht oder hängt.

• Es dürfen, auf und in eine Entfernung, die kleineremase als sicher vom Gerät bezeichnet wird, keine Gegenstände aus brennbaren Materilien (die kleinste Entfernung vom Brennbarem ist 10 cm) aufgestellt werden.

• Die sicheren Entfernungen von Massen der einzelnen Brenngra

Tabelle:

Baumassefeuerbrenngrad ins Brenngrad (EN) der Massen und Produkte eingegliedert

A	Unbrennbar	Granit, Sandstein, beton, Ziegel, Keramikbekleidung, Putz
B	nicht einfach brennbar	Akumin, Heraklit, Lihnos, Itaver
C1	schwer brennbar	Holz, Laubbaum, Furnier Sirkoklit, Festpapier, Umakart
C2	mittel brennbar	Holzspanplatten, Solodur, Korkplatten, Hartgummi, Bodenbeläge
C3	leicht brennbar	Holzfasernplatten, Polystyren, Polyureten, PVC

Die Bedarfsartikel müssen sicher installiert werden und sind mit regulierenbaren Beinchen - zur Ausgleichen der Höhe und der Unebenheiten eingestattet.

Die Geräte müssen in einer sicheren Weise installiert werden. Bei der Installation müssen weiter betreffende Projekt-, Sicherheits-, und Hygienevorschriften respektiert werden.

• EN 06 1008 Feuerschutz der örtlichen Geräte und der Wärmquellen

• EN 33 2000 (33 2000-4-482; 33 2000-4-42) Umgebung für elektrische Geräte

Gasversorgung -Gasleitunge in Gebäuden - Höchste Verkehrsdruck ≤ 5 BarVerkehrsansprüche,

• § 10 des Gesetzes Nr.185/2001 Sb., der Abfälle betrifft.

DER ELEKTRISCHE KABELNETZANSCHLUSS

Die Installation der elektrischen Ankupplung - Diese Zuleitung muß selbstständig gesichert werden. Und das durch entsprechende Sicherung des Nennstromes in der Abhängigkeit am Anschlußwert des installierten Gerätes. Kontrollieren sie den Anschlußwert des Apparates auf dem Produktionsschild im Hinterteil des Gerätes. Schließen Sie das Gerät direkt ans Netz an.


Es ist unbedingt notwendig zwischen das Gerät und das Netz einen Schalter zu legen, der eine minimale Entfernung von 3mm unter den Einzelkontakten aufweist und der auch den geltenden Normen und Belastungen entspricht. Die Erdungszuleitung (gelbgrün) darf nicht durch diesen Schalter unterbrochen sein.

Der Zuleitungskabel muß in jedem Fall so angebracht sein, dass er in keinem Punkt einer um 50°C höherer Temperatur als Umgebungstemperatur nicht erreicht. Eher das Gerät ans Netz angeschlossen wird, versichern Sie sich, dass:

- die Zuleitungssicherung und die Innenscheidung die Einrichtungsbelastung ertragen (siehe Matriceschild),
- die Verteilung mit wirksamer Erdung laut Normen (EN) und Gesetzbedingungen ausgestattet ist

WIR VERZICHTEN AUF JEGLICHE VERANTWORTUNG IM FALLE, DASS DIESE NORMEN NICHT RESPEKTIERT WERDEN UND IM FALLE DER NICHEINHALTUNG DER OBENERWÄHNTER GRUNDSÄTZE.

Es ist notwendig die Schutzfolie vor der ersten Benützung zu beseitigen, sowie das Gerät zu reinigen siehe das Kapitel „Reinigung und Instandhaltung“.

-  -Führen Sie den Stecker der Speisezuleitung in die el. Steckdose und ziehen ihn aus der el. Steckdose mit nassen Händen und durch Ziehen der Speisezuleitung nicht!
- Verwenden Sie keine Verlängerungskabel oder Kombisteckdosen.

ROHR FÜR GASANSCHLÜSSEN

Es muss zuerst feststellen, ob das Gerät für die gleiche Art von Gas, das verwendet werden soll, wird und entspricht damit den auf dem Etikett die Art des Gases verwendet werden.

Die Umwandlung von Gas Pfanne auf eine andere Gasart müssen Sie überprüfen, ob es auf die Art der Gas-Lager, die in diesem Handbuch empfohlen wird, entspricht.

Anschließen des Gerätes an die Gasversorgung muss Anhängelast auf einer Stahl-oder Kupferrohr Beachtung der geltenden nationalen Anforderungen. Dies muss regelmäßig kontrolliert werden und bei Bedarf geändert. Jedes Gerät muss mit Absperrventil und schnelle Absperrventil ausgestattet sein. Schnell-Absperrventil muss frei zugänglich sein und innerhalb der Reichweite des Gerätes. Nach der Installation ist zu prüfen, ob es ein Gas austritt. Um ein Gasleck Sie Seifenwasser oder Spray zur Lecksuche können zu finden.

Verwenden Sie keine ätzenden Stoffen! Alle unsere Geräte werden sorgfältig kontrolliert. Gasart, Druck und der Kategorien auf der technischen Informationen Platte benannt.

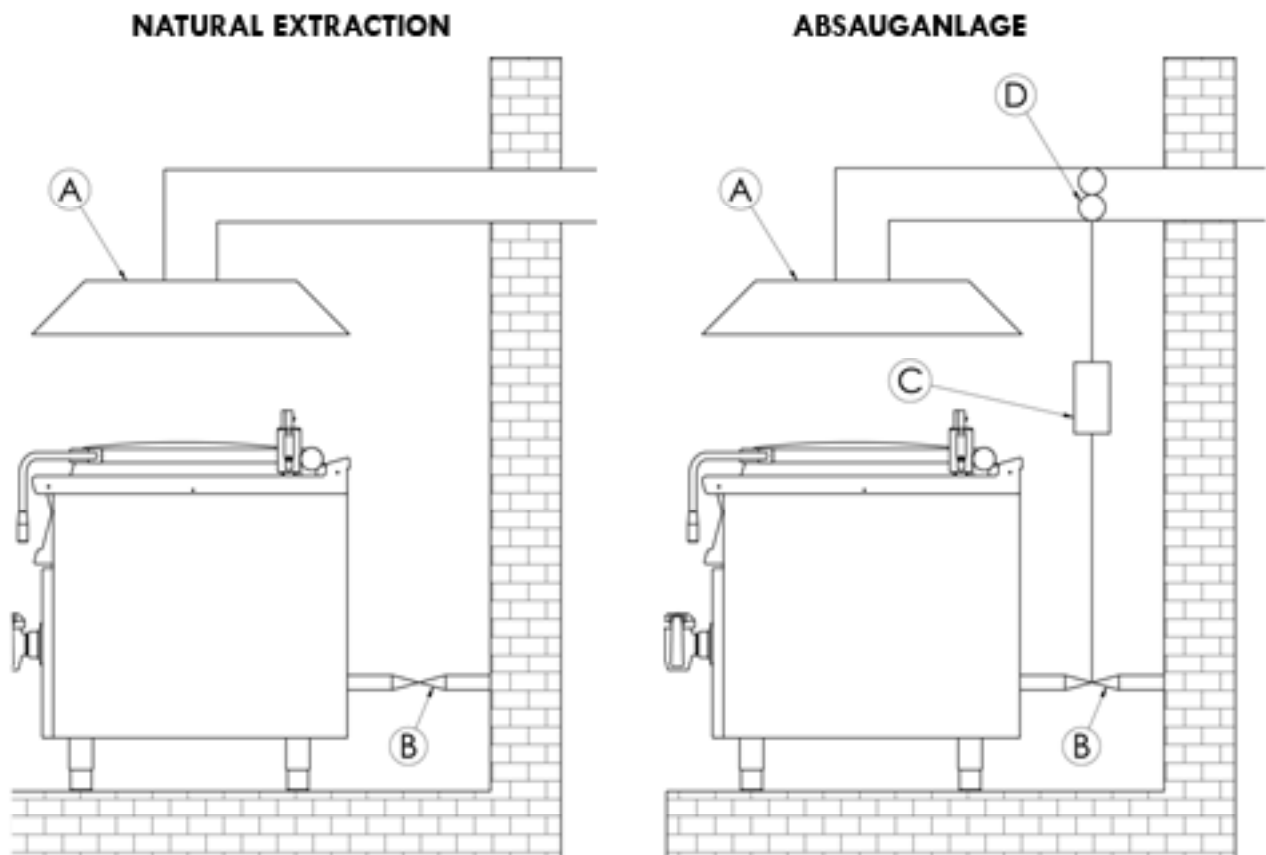
Flüssiggas-Anschluss:

Der Druck für Flüssiggas-Verbindung muss 28 oder 30 mbar für Propan / Butan und 37 mbar für Propan sein. Es ist notwendig, um die technische Etikett überprüfen, messen den Druck und Kontrolle der Parameter der Düse wird mit den erforderlichen Parametern der Düse gemäß der Herstellerangaben installiert. Ist der Druck niedriger als 25mbar oder höher als 37 mbar, darf das Gerät nicht ANZUSCHLIESSEN.

Gas-Anschluss:

Der Druck für die Methan-Anschluss muss 18 oder 20 mbar betragen. Es ist notwendig, um die technische Etikett überprüfen, messen den Druck und Kontrolle der Parameter der Düse wird mit den erforderlichen Parametern der Düse gemäß der Herstellerangaben installiert. Wenn der Gasdruck niedriger ist als 15 mbar oder höher als 22,5 mbar, darf das Gerät nicht ANZUSCHLIESSEN.

KAMIN-DESIGN FÜR EIN GERÄT VOM TYP A



Outlet Kapuze mit natürlichen Extraktion (A). Rauchgas sorgt für einen natürlichen Kaminzug.

Outlet Haube ohne natürliche Extraktion. Rauchgas wird durch einen Ventilator (D) (erzwungene Extraktion) gesichert. In diesem Fall ist es erforderlich, die Verbindung mit einer Gaszuführung (B), um die Gaszufuhr bei Ausfall zu sichern.

PRÜFEN der Gasart Das Gerät ist für EINGESTELLT

Unsere Geräte sind zertifiziert und reguliert das Erdgas (siehe technische Platte). Umwandlung oder Anpassung an eine andere Gasart müssen von autorisiertem Personal durchgeführt werden. Düsen für verschiedene Arten von Gas sind in einer Tüte mit dem Gasherd gestellt und sind im Hundertstel mm (Tabelle der technischen Daten Rohre) markiert.

Düsenwechsel und Druckeinstellung (Abb. 1, 2, 3)

Es sollte wie folgt vorgehen:

Entfernen Sie Raster aus oberem Teil des Kochers, ganze Oberseite des Brenners und GN (Anm. 1, 2, 3, 4, Abb. 1)

Abschrauben der Düse (Anm. 5, Abb. 2, 3) mit Schlüssel-Nr. 13 mm und ersetzen Sie sie durch eine andere von der gewünschten Art des Gases.

Führen Sie die Montage in umgekehrter Reihenfolge. Stellen Sie sicher, dass verschiedene Teile eng zueinander passen. Air Control (Abb. 3, Anm. 8) ist immer voll geöffnet.

Zündbrenner werden kann, so anpassen, also brauchen lösen Sicherheitsmutter (Anm. 6, Abb. 3) mit Schlüssel-Nummer 11 mm. Dann mit dem Schraubenschlüssel Nummer 7 mm, binden oder lösen Düse (Anm. 7, Abb. 3) und die Flamme in die gewünschte Größe.

wichtig:

Nach dem, was getan Einstellen des Gerätes an andere Art von Gas, ist es notwendig, das Gas auf dem technischen Platte an einer sichtbaren Stelle an der Rückseite des Geräts angegeben ändern.

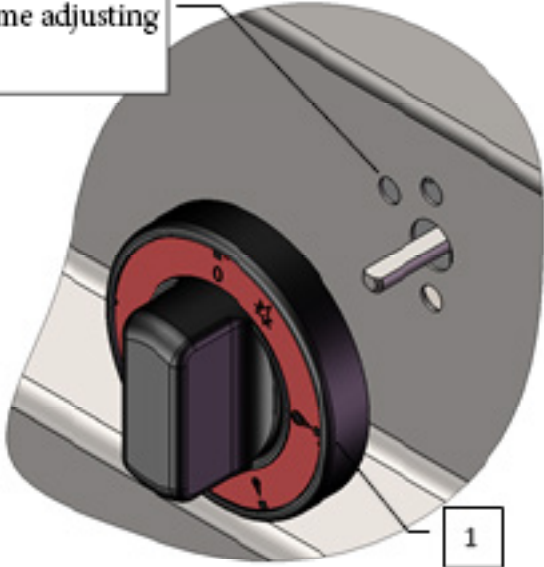
Anpassen der Flamme bei reduzierter Leistung „SPAREN“

Flamme bei reduzierter Leistung „Speichern“ kann mit der Schraube in dem Ventilkörper (Anm. 1, Abb. 5). Platziert gesetzt werden positioniert neben dem Ventilschaft

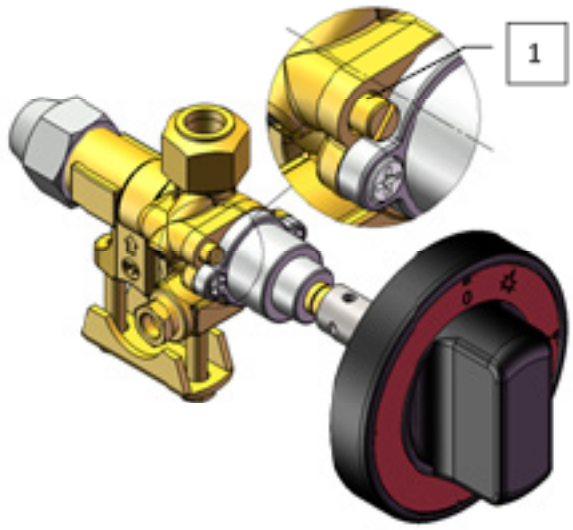
Für die Einstellung wie folgt vorgehen:

- Entfernen Sie den Drehknopf (Anm. 1, Abb. 4). Ziehen Sie in Richtung
- Stellen Sie die Flamme durch das Loch mit Schraubenzieher

Hole for flame adjusting



4



5

BEDIENUNGSANLEITUNG

Anzündung und Regulierung des Brenners ohne Dauerflamme - Bilder 1,2-Standard ausführung

Drehen Sie den Regulierungsknopf des zuständigen Brenners (A) in die Position „Anzünden des Hauptbrenners“ und dann drücken Sie den Knopf und halten Sie ihn, nun können Sie die Flamme durch ein Streichholz oder Feuerzeug entzünden. Nach dem Entzünden des Brenners halten Sie den Knopf (A) noch ein paar Sekunden, sobald die Thermosicherung erwärmt ist, können Sie den Knopf loslassen. Falls die Flamme ausgeht, wiederholen Sie den ganzen Vorgang.

Niedrigere Leistung (sporo) - Bilder 1,2

Drehen Sie den Knopf (A) in Position „sporo“. Damit stellen Sie Brennen für niedrigere Leistung (sporo).

Ausschaltung der zuständigen Brenner - Bilder 1,2

Drehen Sie den Knopf (A) in Position „0“.

BEDIENUNG DES ELEKTRISCHEN BACKOFENS

Vorsicht!

Bevor Sie das Gerät zu verwenden beginnen, ist es erforderlich, dieses mit einem in Seifenwasser getränkten Stück Stoff gut abzuwaschen. Danach gründlich trocknen. Das Gerät nie unbeaufsichtigt in Betrieb lassen!

Den Befehlsschalter C nach rechts drehen, dadurch wird der Ventilator des Backofens eingeschaltet. Dies zeigt die grüne Kontrollleuchte E an. Erneut mit Hilfe des Befehlsschalters C die gewünschte Raumtemperatur des Backofens einstellen. Die orangefarbene Kontrollleuchte D signalisiert den Betrieb des Heizkörpers und nach ihrem Erlöschen ist der Backofen auf die eingestellte Temperatur erhitzt. Der Befehlsschalter F ist ein passiver Zeitgeber, der nach Ablauf der eingestellten Zeit lediglich klingelt, den Backofen aber nicht ausschaltet.

ANLEITUNG FÜR ABSAUGUNG DER ABGASE

Geräte von Typ A (siehe Schild mit Charakteristiken).

Dieses Gerät ist nicht für Verbindung mit Raucherleitung oder mit anderem Gerät für Ausleitung der Abgase bestimmt. Dieses Gerät muss nur in ventilierten Räumen installiert werden. Die Ventilation muss Normen ČSN127010:1986 und ČSN127040:1986 antworten. In diesen Räumen verhindert man Anhäufung der gesundheitschädlichen Stoffen in unzulässige Konzentration (hygienische Vorschriften auf Arbeitsmilieu Bund 39/78 Richtlinie 46).

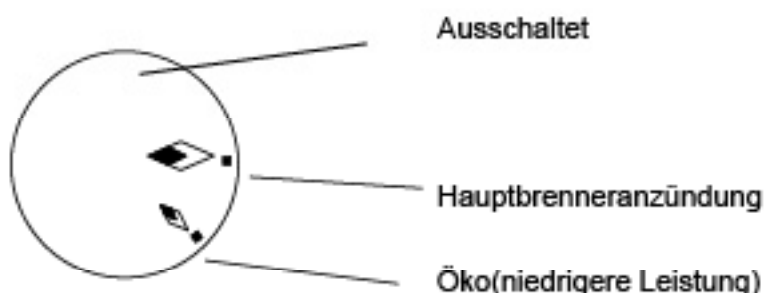
Bemerkung und Empfehlung

Benutzen Sie das Gerät nur unter Aufsicht.



BILD. 2

- (A) BETÄTIGUNGSKNOPF DES BRENNERS
- (B) THERMOSTAT
- (C) ORANGE KONTROLLLEUCHE
- (D) GRÜNE KONTROLLLEUCHE
- (E) PASSIVER ZEITGEBE



DIE REINIGUNG UND INSTANDSHALTUNG

ACHTUNG! Die Einrichtung darf nicht mit Direkt-, oder Druckwasserstrahl gereinigt werden. Reinigen Sie das Gerät täglich. Die Lebensdauer und Gerätewirkung wird durch die tägliche Wartung gewährleistet. Überzeugen Sie sich, vorm Reinigungsanfang, dass Sie die Einrichtung vom Elektrostrom abgeschaltet haben. Schalten Sie immer die Gerätehauptzufuhr ab. Waschen Sie die Edelstahlteile mit feuchtem Waschlappen, der im Waschpulver getauft ist und keine grobe Teilchen aufweist. Wischen Sie alles ins Trockene ab. Verwenden Sie keine abrasive- oder korrosionsreiche Reinigungsmitteln.

WIE MAN IM FALLE EINER STÖRUNG VORANGEHEN SOLL

Schalten sie die elektrische Stromleitung ab und rufen die Serviceorganisation des Verkäufers an.

HINWEIS

Die Garantie bezieht sich nicht auf alle Verbrauchsteile, die der geläufiger Abnutzung unterstehen (gesamte Gummidichtungen, Glühlampen, alle glasemde und plastiche Teile, usw.). Die Garantie bezieht sich nicht weiterhin auf Einrichtungen, die durch befugte Person laut Anweisung und entsprechender Normen nicht installiert worden sind und wenn mit dem Gerät unfachmännisch manipuliert wurde (Eingriffe ins Innere) und auf Beschädigungen durch Natureinflüsse oder Ausseneingriffe.

DÉCLARATION DE CONFORMITÉ

Le fabricant certifie la conformité des appareils aux normes 2009/142/ES, 2014/30/ES, 2014/35/ES à la loi n° 22/1997 sb., 258/2000 sb., 258/2000 sb., 616/2006 sb., 17/2003 sb. et aux décrets applicables. L'installation doit être effectuée dans le respect des normes en vigueur. Attention: le fabricant décline toute responsabilité en cas de dommages, directs ou indirects, causés par une mauvaise installation, par une utilisation, des interventions ou des modifications impropres, par un entretien insuffisant, ainsi qu'en cas de dommages dérivant des causes mentionnées dans les conditions de vente. L'appareil objet de la présente notice est prévu pour un usage professionnel, aussi son utilisation doit-elle être confiée à un personnel possédant les compétences nécessaires à cet effet. L'utilisateur ne doit procéder à aucune intervention ni à aucune modification sur les parties réglées et protégées par le fabricant ou autre personnel autorisé à cet effet.

CARACTÉRISTIQUES TECHNIQUES

L'étiquette sur laquelle figurent les caractéristiques techniques est apposée sur la partie postérieure de l'appareil. Avant de procéder à l'installation, prendre connaissance du schéma électrique et de toutes les informations que contient la présente notice.

Nature du produit	Rendement du four à air chaud GN 1/1 (kW)	puissance thermique (kW)	tension (V/Hz)
SPT 60 GL	3,13	2x3 + 2x3,6	230/N/50
SPT 90/5 GL	3,13	2x3 + 3x3,6	230/N/50
SPT 90 GL	3,13	3x3 + 3x3,6	230/N/50
SPT 60 GLS	3,13	4x4,5	230/N/50
SPT 90/5 GLS	3,13	5x4,5	230/N/50
SPT 90 GLS	3,13	6x4,5	230/N/50
SPT 62 GLS	3,13	2x8	230/N/50
SPT 93 GLS	3,13	3x8	230/N/50

CONTROLE DE L'EMBALLAGE ET DE L'APPAREIL

En vue de son transport, l'appareil quitte les établissements du fabricant parfaitement emballé (sur l'emballage sont apposés les étiquettes et les symboles nécessaires à cet effet). L'emballage contient également la notice des instructions d'utilisation. Dans le cas où l'emballage présenterait des dommages ainsi que dans le cas où il s'avérerait qu'il a été manipulé sans les précautions nécessaires, il est impératif d'adresser sans attendre une déclaration au transporteur en y joignant une acceptation de la marchandise sous réserve.

Recommandation importante:

-Le produit est destiné uniquement à un usage intérieur.

N'utilisez jamais cet appareil si le cordon ou la fiche sont endommagés, si l'appareil fait défaut, s'il a été échappé ou endommagé ou immergé. Dans ce cas, retournez cet appareil au centre service autorisé pour examen.

- Pour usage professionnel seulement
- La présente notice des instructions d'utilisation et d'entretien contient d'importantes informations relatives à la sécurité, à l'installation et à l'utilisation; il est nécessaire d'en effectuer attentivement la lecture.
- Les recommandations se réfèrent à l'appareil objet de la présente notice.
- L'appareil est conforme aux normes en vigueur.
- Veiller à bien conserver la notice de telle sorte qu'elle puisse être consultée à tout moment en cas de besoin.
- Ne pas laisser des enfants s'approcher de l'appareil durant son utilisation.
- Pendant la vente ou après le déménagement de l'appareil vérifier que le personnel lise attentivement la présente notice d'utilisation
- L'appareil ne peut être utilisé que par le personnel instruit
- L'appareil ne peut être laissé en marche sans surveillance
- Il est recommandé de faire l'appareil contrôler au moins une fois par an dans un service spécialisé
- Ne pas utiliser que des pièces détachées originelles.
- En cas de défaut ou de mauvaise fonction, débrancher l'appareil (eau, gaz, électricité) et appeler un service spécialisé
- Le fabricant décline toute responsabilité en cas de dommages, directs ou indirects, causés par une mauvaise installation, utilisation, etc

LA LOCATION

Le local dans lequel l'appareil est installé doit être bien ventilé. Si l'appareil doit toucher le parois, celui-ci doit résister à la chaleur de 90°C au minimum. L'installation, le réglage et la mise en marche doivent être effectués par une personne qualifiée ayant une autorisation nécessaire selon les normes en vigueur.

Déballez l'appareil et vérifiez s'il n'était pas endommagé pendant le transport. Placez l'appareil sur une surface horizontale (pente maximale de 2°). Placez l'appareil sous une hotte pour éliminer la vapeur et mauvaise odeur.

L'appareil peut être installé seul ou en série avec d'autres appareils de notre fabrication. Il faut respecter la distance minimale de 10 cm entre l'appareil et d'autres objets ainsi qu'éviter le contact avec les matériaux inflammables. Dans ce cas il faut prévoir les arrangements nécessaires pour assurer la protection des parties inflammables.

INSTRUCTIONS TECHNIQUES POUR INSTALLATION ET REGLEMENT

Important:

Le fabricant ne fournit pas de garantie pour les défauts causés par l'usage, tout manquement impropre aux instructions contenues dans les instructions ci-jointes pour l'utilisation et aux mauvais traitements des appareils.

Installation, réglage et réparation d'appareils pour les cuisines, ainsi que leur élimination en raison de dommages possibles au gaz peut être effectuée qu'en vertu d'un contrat de maintenance, ce contrat peut être signé avec un distributeur agréé, et doivent être conformes à la réglementation technique et normes et réglementations concernant l'installation, l'alimentation, de raccordement de gaz et de la santé et la sécurité du système.

Ces instructions sont destinées au technicien qualifié qui doit effectuer l'installation, le mettre en marche et tester l'appareil.

Toute activité en tant que paramètres, le placement, le rééquilibrage etc, doit être faite que lorsqu'il est périphérique déconnecté de l'électricité. Si il est nécessaire d'avoir le périphérique connecté à l'électricité, vous devez garder la plus grande attention afin d'éviter toute blessure.

MÉSURES DE SÉCURITÉ POUR LA PROTECTION CONTRE INCENDIE SELON EN 06 1008 ARTICLE 21:

- l'appareil ne peut être utilisé que par des personnes majeures
- l'appareil peut être utilisé dans un espace ordinaire selon EN 332000-4-482; 332000-4-42
- l'appareil doit être placé ou suspendu d'une manière stable sur une surface ininflammable

Il est interdit de placer sur l'appareil ou dans la distance inférieure à 10 cm de l'appareil des objets inflammables.

- les distances de sécurité pour les matériaux inflammables selon leurs degré d'inflammabilité et les informations sur l'inflammabilité des matériaux de construction – voir le tableau

Tableau:

degré d'inflammabilité d'un matériel de construction (EN 730823)

A ininflammables	granit, grès, béton, briques, carrelage céramique, enduit
B difficilement inflammables	acumin, héraclite, lihnos, itaver
C1 mal inflammables	bois des arbres feuillus, contre-plaqué, papier durci, umakart
C2 inflammabilité moyenne	aggloméré, solodur, liège, caoutchouc, revêtements
C3 inflammabilité facile	planches de fibre de bois, polystyrène, polyurethane, PVC

L'appareil doit être installé d'une manière sûre. Pour l'ajustage de l'appareil est ce-ci procuré des pieds réglables.

- EN 06 1008 protection contre incendie des consommateurs d'énergie locaux et des émetteurs de chaleur
- EN 33 2000 (33 2000-4-482; 33 2000-4-42) le milieu pour les appareil électriques

BRANCHEMENT ÉLECTRIQUE

Installation de prise de courant – La prise de courant doit avoir un coupe-circuit indépendant en dépendance de puissance fournie de l'appareil. Vérifiez la puissance de l'appareil sur la plaque des caractéristiques techniques.

Branchez l'appareil directement au réseau, il faut mettre un interrupteur entre le réseau et l'appareil, son ouverture de contacts étant 3 mm au minimum. Câble de terre (vert-jaune) ne peut pas être interrompu par cet interrupteur. En tout cas, le câble de prise de courant doit être placé de telle manière que sa température ne dépasse jamais la température du milieu de plus que 50°C. Avant le branchement au réseau, s'assurer que :

- le coupe-circuit et distribution intérieure peuvent endurer la charge de l'appareil (voir la plaque)
- la mise à la terre fonctionne selon les normes en vigueur (EN) et selon la loi
- la prise ou l'interrupteur de circuit sont faciles d'accès

Le fabricant rénonce à toute responsabilité en cas que les normes ne seront pas respectés ainsi qu'en cas de dérogation des règles mentionnés ci-haut.

Avant la première utilisation, il faut retirer le film de protection et nettoyer l'appareil – voir chapitre « nettoyage et entretien ».

Entretien:

Il est recommandé de faire contrôler l'appareil dans un service spécialisé au moins une fois par an. Toutes les interventions peuvent être effectuées seulement par une personne qualifiée ayant une autorisation pour ces interventions.

TUYAU D'AMENÉE DU GAZ

Il faut d'abord déterminer si l'appareil est fait pour le même type de gaz qui sera utilisé et est donc conforme aux indications figurant sur l'étiquette du type de gaz utilisé.

La conversion de la poêle à gaz à un autre type de gaz, vous devez vérifier si elle correspond au type de palier à gaz, ce qui est recommandé dans ce guide.

Connexion de l'appareil à la distribution de gaz doit être tractable à un tube d'acier ou de cuivre se conformer aux exigences applicables nationales. Ce doit être contrôlée sur une base régulière et changé si nécessaire. Chaque appareil doit être équipé d'un robinet d'arrêt et rapide robinet d'arrêt. Rapide robinet d'arrêt doit être librement accessible et à portée de main de l'appareil. Après l'installation, est nécessaire pour vérifier s'il ya une fuite de gaz. Pour trouver une fuite de gaz, vous pouvez utiliser de l'eau savonneuse ou un spray pour la détection de fuite de gaz.

Ne pas utiliser de substances corrosives! Tous nos appareils sont soigneusement contrôlés. Type de gaz, la pression et des catégories énumérées le nom figure sur la plaque de l'information technique.

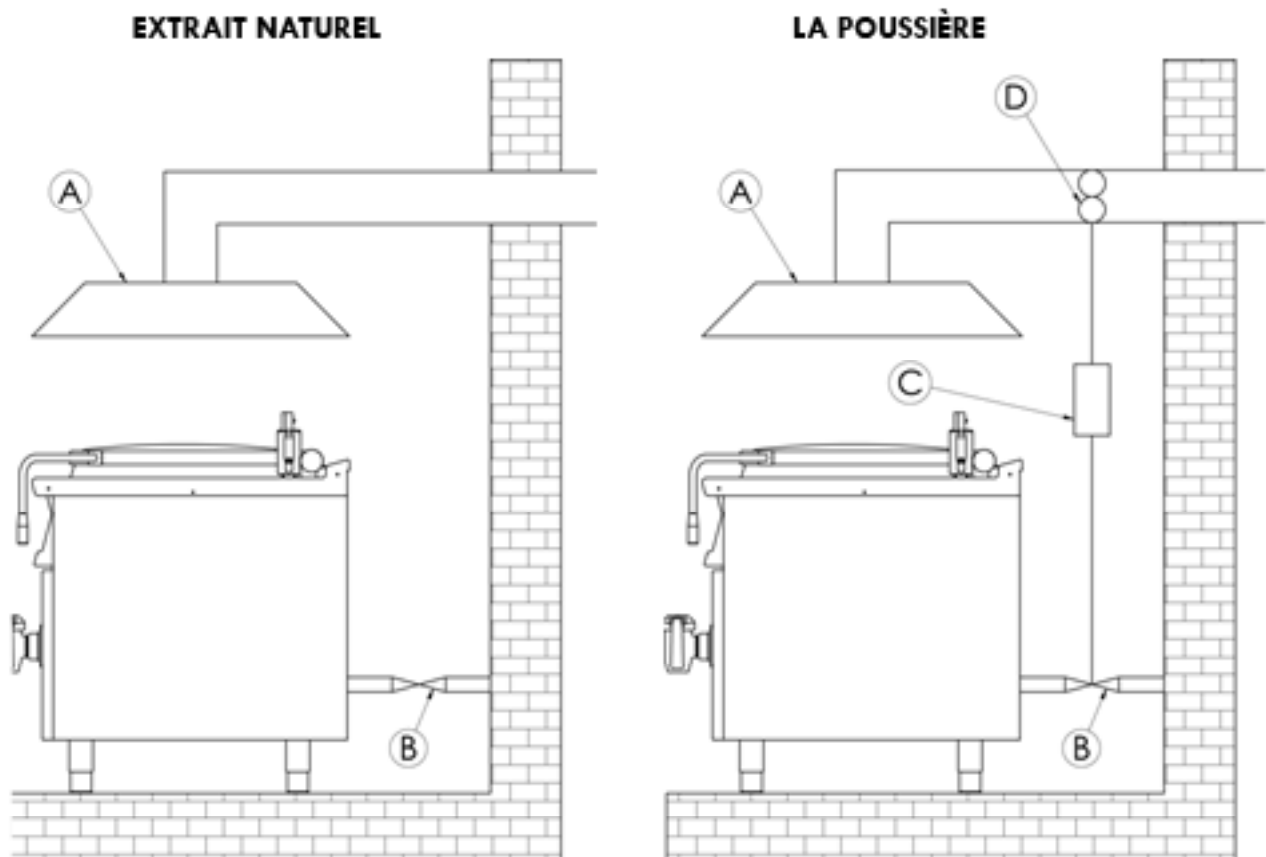
Raccordement au gaz liquide:

La pression de gaz pour le raccordement de liquide doit être 28 ou 30 mbar pour le propane / butane et 37 mbar pour le propane. Il est nécessaire de vérifier l'étiquette technique, d'évaluer la pression et vérifier les paramètres de la buse est installé avec les paramètres requis de la buse selon les indications du fabricant. Si la pression est inférieure à 25mbar ou supérieure à 37 mbar, l'appareil doit ne pas être connecté.

Raccordement au gaz:

Pression pour la connexion du méthane doit être 18 ou 20 mbar. Il est nécessaire de vérifier l'étiquette technique, d'évaluer la pression et vérifier les paramètres de la buse est installé avec les paramètres requis de la buse selon les indications du fabricant. Si la pression du gaz est inférieure à 15mbar ou supérieur à 22,5 mbar, l'appareil doit ne pas être connecté.

CHEMINÉE POUR LA CONCEPTION D'UN DISPOSITIF DE TYPE A



Hotte aspirante avec extraction naturelle (A). Gaz de combustion fournit un tirage de la cheminée naturelle.

Bouchon à la sortie sans extraction naturelle. Des gaz de combustion est assurée par un ventilateur (D) (extraction forcée). Dans ce cas il faut assurer la connexion avec une alimentation en gaz (B) à l'alimentation en gaz en cas de défaillance.

CONTRÔLE DU RÉGLAGE DE L'APPAREIL SUR LE TYPE DU GAZ :

Nos appareils sont certifiés et réglementés du gaz naturel (voir la plaque technique). Conversion ou l'adaptation à un autre type de gaz doit être effectuée par du personnel autorisé. Buses pour différents types de gaz sont dans un sac fourni avec la cuisinière à gaz et sont marqués en centièmes de mm (table des tuyaux de données techniques).

Remplacement de la buse et de réglage de pression (Fig. 1, 2, 3)

Il convient de procéder comme suit:

Retirer la grille de la partie supérieure de la cuisinière, la partie supérieure l'ensemble du brûleur et GN (note 1, 2, 3, 4, fig. 1)

Dévissez la buse (note 5, fig. 2, 3) avec la clé pas. 13 mm et le remplacer par un autre par le type désiré de gaz.

Effectuer le montage dans l'ordre inverse. Assurez-vous que les différentes parties épouser les uns aux autres. Le contrôle aérien (fig. 3, note 8) est toujours complètement ouverte.

Veilleuse peut être ajusté de façon, qui est le besoin délier écrou de sécurité (note 6, fig. 3) avec le numéro de clé 11 mm. Puis, avec le numéro clé de 7 mm, lier ou délier buse (note 7, fig. 3) et régler la flamme dans la taille désirée.

Important:

Après ce qui s'est fait ajuster l'appareil à un autre type de gaz, il est nécessaire de changer le gaz indiqué sur la plaque technique situé dans un endroit visible sur le dos de l'appareil.

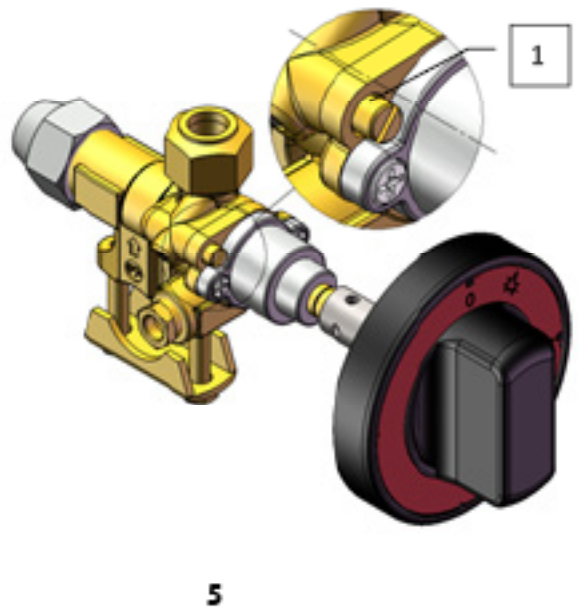
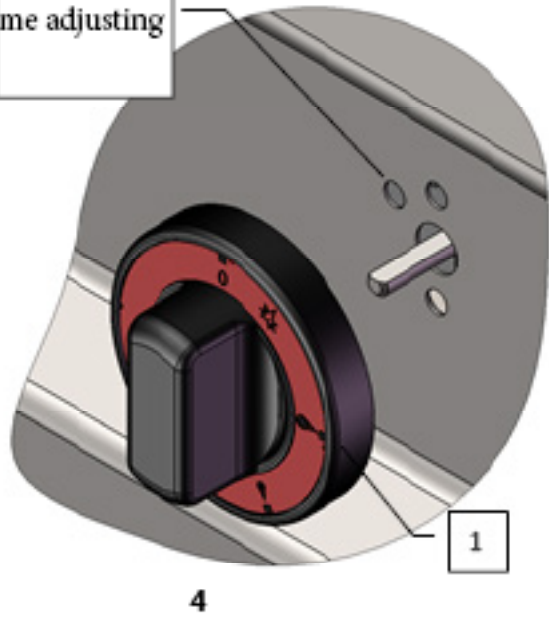
Réglage de la flamme à la performance „ECONOMIE“ réduite

Flamme à la performance „ECONOMIE“ réduite, peut être réglée avec la vis placée dans le corps de la vanne (Note. 1, fig. 5) placé à côté de tige de soupape

Pour le réglage, procédez comme suit:

- Retirer le bouton de commande (Note. 1, fig 4). Tirant vers vous
- Régler la flamme à travers le trou avec un tournevis plat

Hole for flame adjusting



DESCRIPTION DE L'USAGE

Allumage du brûleur principal et régulation de la puissance thermique : tab. 1, 2

Mettre le bouton du robinet (A) dans la position « l'allumage du brûleur principal », appuyer sur lui et tenir, appuyer plusieurs fois sur le bouton de l'allumeur piezo jusqu'à ce que le brûleur principal ne s'allume. Vous pouvez voir la flamme à travers le trou dans le panneau frontal. Tenez le bouton (A) encore pendant quelques secondes jusqu'à ce que la sonde thermique chauffe, puis lâchez le bouton. Si la flamme s'éteint, répétez le procédé.

La flamme économique tab. 1, 2

Mettez le bouton (A) dans la position « flamme économique », ainsi la flamme est réduite pour une consommation économique.

Pour éteindre l'appareil tab. 1, 2

Mettez le bouton (A) dans la position « 0 ».

Commande du four de convection électrique

Attention !

Avant d'utiliser l'appareil, il est indispensable de bien le laver avec un chiffon propre trempé dans de l'eau contenant un détergent léger non abrasif. Puis bien sécher l'appareil.

Ne pas laisser l'appareil en marche sans surveillance !

Tourner la commande B vers la droite pour mettre en marche le ventilateur du four - signalisation par témoin vert D. A l'aide de la commande B, réglez la température demandée de l'espace du four.

Le témoin orange C signale le fonctionnement du corps de chauffe et lorsqu'il s'éteint, le four est chauffé à la température réglée.

La commande E est le minuteur passif qui sonne à la fin du temps réglé mais n'éteint pas le four.

Tirage des gaz de combustion

L'appareil du type A (voir l'étiquette)

Les appareils du type A (donc les appareils pas reliés avec une cheminée) doivent être installés dans les locaux bien aérés selon les normes en vigueur, pour prévenir la cumulation des substances nuisantes à la santé dans les concentrations dangereuses. (EN 12 7010 :1986 et EN 12 7040 :1986) (sv.39/78 sm 46)

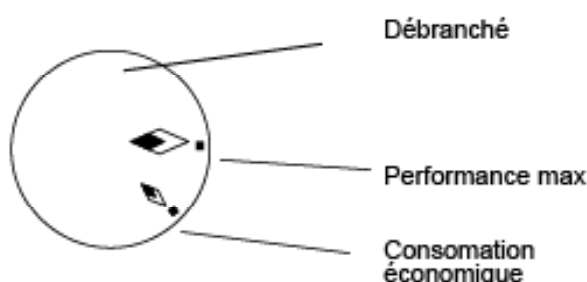
Notices et recommandations

Utiliser l'appareil uniquement sous surveillance.

- (A) BOUTON DE COMMANDE DU BRÛLEUR
- (B) THERMOSTAT
- (C) TÉMOIN ORANGE
- (D) TÉMOIN VERT
- (E) TEMPORISATEUR PASSIF



IMAGE. 2



NETTOYAGE ET ENTRETIEN

Il est recommandé de faire contrôler l'appareil dans un service spécialisé au moins une fois par an. Toutes les interventions peuvent être effectuées seulement par une personne qualifiée ayant une autorisation pour ces interventions.

ATTENTION ! L'appareil ne peut pas être nettoyé sous l'eau courante ou de pression. Nettoyer l'appareil chaque jour. Nettoyage quotidien prolonge la vie et le fonctionnement de l'appareil. Avant le nettoyage vérifier, si l'appareil est débranché. Toujours débrancher l'alimentation principale. Les pièces en inox nettoyer à l'aide d'un torchon humide et un détergent sans particules abrasives, rincer, sécher. Ne jamais utiliser les produits abrasifs ou corrosifs.

Comment procéder en cas de panne de l'appareil

Débrancher l'appareil et appeler le service spécialisé.

AVERTISSEMENT:

La garantie ne concerne pas les bouchons en caoutchouc, bulbes, parties en verre et en plastique. Elle ne concerne également pas tout l'appareil si l'installation n'a pas été effectuée par une personne qualifiée, selon le mode d'installation ou selon les normes en vigueur ou si l'appareil n'a pas été utilisé selon le mode d'emploi, s'il y avait des interventions nonprofessionnelles (interventions à l'intérieur de l'appareil). La garantie ne concerne pas les dommages causés par la pluie, vent, etc.

DE VERKLARING VAN OVEREENSTEMMING MET DE NORMEN

De fabrikant verklaart dat de apparaten voldoen aan de basiseisen van de richtlijn 2016/426/EU, 2014/30/EU, 2014/35/EU verordening van de regering nr. 22/1997 Coll., nr. 258/2000 Coll., nr. 258/200 Coll., nr. 118/2016 Coll., nr. 117/2016 Coll.

Technische gegevens

Het typeplaatje met technische gegevens bevindt zich aan de zijkant of op de achterkant van het apparaat. Bestudeer het elektrische schema van het apparaat en alle onderstaande informatie, voordat u overgaat tot installatie van het apparaat.

Producttype	Oven GN 1/1 vermogen (kW)	Branders vermogen (kW)	Spanning (V/Hz)
SPT 60 GL	3,13	2x3 + 2x3,6	230/N/50
SPT 90/5 GL	3,13	2x3 + 3x3,6	230/N/50
SPT 90 GL	3,13	3x3 + 3x3,6	230/N/50
SPT 60 GLS	3,13	4x4,5	230/N/50
SPT 90/5 GLS	3,13	5x4,5	230/N/50
SPT 90 GLS	3,13	6x4,5	230/N/50
SPT 62 GLS	3,13	2x8	230/N/50
SPT 93 GLS	3,13	3x8	230/N/50

Controle van de verpakking en het apparaat

Het apparaat verlaat ons magazijn in een verpakking die voldoet aan alle voorschriften en waarop zich de vereiste symbolen en markeringen bevinden. In de verpakking bevindt zich de overeenkomstige gebruiksaanwijzing. Indien de verpakking beschadigd is of wijst op onjuist transport, dient u dit onmiddellijk te reclameren bij de transporteur door middel van ondertekening van een schadeprotocol. Latere indiening van klachten wordt niet in aanmerking genomen.

Belangrijke aanwijzingen

Lees deze gebruiksaanwijzing aandachtig en nauwkeurig door, omdat zij belangrijke informatie bevat over veiligheidsvoorzieningen, installatie en gebruik van het apparaat.

- Het product is alleen bedoeld om binnenshuis te worden gebruikt.
- Gebruik het apparaat nooit als de stroomtoevoer of stekker beschadigd is, als het niet juist werkt, het op de grond is gevallen en beschadigd of in het water is gevallen. Breng in dergelijke gevallen het apparaat naar een gespecialiseerde service om te controleren of het apparaat veilig is en correct werkt.
- Deze aanbevelingen zijn van toepassing op dit product of productlijn.
- Deze handleiding moet zorgvuldig bewaard worden voor toekomstig gebruik.
- Zorg ervoor dat kinderen het apparaat niet kunnen bedienen.
- Wanneer u hebt apparaat verkoopt of verplaatst, zorg er dan voor dat de persoon die het apparaat bedient of er de service van doet, bekend is met het gebruik en de installatie-instructies in de bijgevoegde handleiding.
- Het product mag uitsluitend worden bediend door een persoon die bekend is met deze gebruiksaanwijzingen.
- Het ingeschakelde apparaat niet zonder toezicht laten werken.
- Wij bevelen aan om het apparaat minimaal 2x per jaar een gespecialiseerde controle en onderhoudsbeurt te geven.
- Gebruik uitsluitend originele onderdelen bij eventuele reparatie of vervanging van onderdelen.
- Het apparaat mag niet schoongemaakt worden met een waterstraal of een hogedrukreiniger.
- Bij storingen of wanneer het apparaat niet goed werkt alle leidingen (water, stroom, gas) afsluiten en contact opnemen met de geautoriseerde service.
- De producent is niet aansprakelijk voor storingen die zijn veroorzaakt door incorrecte installatie, het niet in acht nemen van bovengenoemde aanbevelingen, gebruik dat niet in overeenstemming is met de bestemming van het apparaat enz.
- Het apparaat mag alleen worden gebruikt voor het doel waarvoor het is bedoeld. Elk ander gebruik is verboden en kan leiden tot gevaar of letsel
- Er moet worden gezorgd voor de strengste naleving van de brandbeveiligingsregels
- Tijdens en kort na het bedrijf zijn sommige delen van het apparaat heet
- Het is verboden om tijdens de werking andere delen van het apparaat aan te raken dan de hiervoor bedoelde bedieningselementen

Plaatsing

De volgende richtlijnen in overeenstemming met de normen TPG G 704 01, ČSN 127040 en ČSN 127010 moeten in acht worden genomen voor de juiste werking en opstelling van het apparaat.

Pak het apparaat uit een controleer of het tijdens het transport niet is beschadigd. Plaats het apparaat op een horizontale oppervlakte (de maximale oneffenheid mag maximaal 2° bedragen). Kleine oneffenheden kunnen worden opgevangen met de stelvoeten.

Als het apparaat zodanig geplaatst is dat het in contact komt met de wanden van het meubilair, dan moeten deze bestand zijn tegen temperatuur tot 60 °C. Installatie, afstelling en inbedrijfstelling moet door een gekwalificeerd persoon uitgevoerd worden die bevoegd is voor deze handelingen in overeenstemming met de toepasselijke normen.

Het apparaat kan afzonderlijk worden geïnstalleerd of in serie met door ons geproduceerde apparaten. Er moet een minimale afstand van 10 cm tot brandbare materialen aangehouden worden. In dit geval is het ook noodzakelijk de nodige aanpassingen uit te voeren om de warmte-isolatie van de brandbare onderdelen te waarborgen.

Het apparaat mag alleen worden geïnstalleerd op een onbrandbare ondergrond of tegen een onbrandbare wand.

De kleinste vereiste luchtstroming vanuit de buitenruimte voor de apparaten van versie A ligt in het bereik van 5-20 m³/h, afhankelijk van het type apparaat. Het hangt af van de installatievoorschriften van het land van bestemming.

De door de fabrikant of zijn vertegenwoordiger beveiligde onderdelen van het apparaat mag de persoon die de installatie van het product doet, niet wijzigen.

Installatie

Belangrijk:

De fabrikant verleent geen garantie voor storingen die zijn ontstaan als gevolg van oneigenlijk gebruik, het niet in acht nemen van de instructies in bijgevoegde gebruikershandleiding en verkeerde hantering van het apparaat.

Installatie-, aanpassings- en reparatiewerkzaamheden op het apparaat voor grote keukens, evenals hun demontage als gevolg van mogelijke schade aan de gastoevoer, kunnen alleen worden uitgevoerd op basis van een onderhoudscontract. Dit contract kan met een geautoriseerde verkoper afgesloten worden, met inachtneming van de technische voorschriften en normen en voorschriften betreffende installatie, elektrische toevoerleidingen, gasaansluiting en arbeidsveiligheid.

Technische instructies voor installatie en afstelling zijn **UITSLUITEND** bestemd om door gespecialiseerde technici te worden gebruikt.

De volgende instructies zijn bestemd voor een technicus die de juiste kwalificaties bezit voor de installatie, om te verzekeren dat hij alle handelingen op de juiste manier en in overeenstemming met de geldende normen kan uitvoeren.

Iedere handeling die te maken heeft met onder andere regulatie, moet worden uitgevoerd terwijl het apparaat is losgekoppeld van de stroomvoorziening. Indien het apparaat toch onder spanning moet staan, dient u de grootst mogelijke voorzichtigheid in acht te nemen.

Het type apparaat voor de uitvoering van afzuiging staat vermeld op het typeplaatje, dit zijn de apparaten van het type A1.

Veiligheidsvoorzieningen in verband met brandpreventie conform ČSN 061008 art. 21

- het apparaat mag uitsluitend door volwassenen bediend worden
- het apparaat kan veilig gebruikt worden in overeenstemming van de volgende normen:
ČSN 33 2000-4-482: Brandbeveiliging in gebieden met een speciaal risico of gevaar
ČSN 33 2000-4-42: Bescherming tegen invloeden van warmte

- het apparaat moet zo worden geplaatst dat het stevig staat of hangt op een vuurbestendige ondergrond
- Op of naast het apparaat mogen zich geen brandbare voorwerpen bevinden binnen de veilige afstand die voor het apparaat is vastgesteld (de kleinste afstand tot brandbare materialen bedraagt 10 cm).

Tabel: De mate van brandbaarheid van bouwmaterialen (ČSN 730823) weergegeven per substantie en product

Mate van brandbaarheid	Bouwmaterialen
A – niet brandbaar	Graniet, zandsteen, beton, baksteen, keramische bekleding, pleisterwerk
B – heel moeilijk brandbaar	Acuminiet, heracliet, lihnos, itaver
C1 – moeilijk brandbaar	Hout, loofhout, fineer, sirkoklit, verstevigd papier, umakart
C2 – gemiddeld brandbaar	Spaanplaat, solodur, kurkplaat, harde rubber, vloerbedekking
C3 – zeer brandbaar	Vezelplaat, polystyreen, polyurethaan, PVC

- Informatie over mate van brandbaarheid van gewone bouwmaterialen staan in de tabel hieronder. Installeer het apparaat op veilige wijze. Neem bij de installatie de voorschriften voor ontwerp, veiligheid en arbeidshygiëne in acht overeenkomstig:
 - ČSN 06 1008 brandveiligheid van lokale apparaten en warmtebronnen
 - ČSN 33 2000-4-482 brandbeveiliging in gebieden met een speciaal risico of gevaar
 - ČSN 33 2000-4-42 bescherming tegen invloeden van warmte

De aansluiting van de gas slangaansluiting

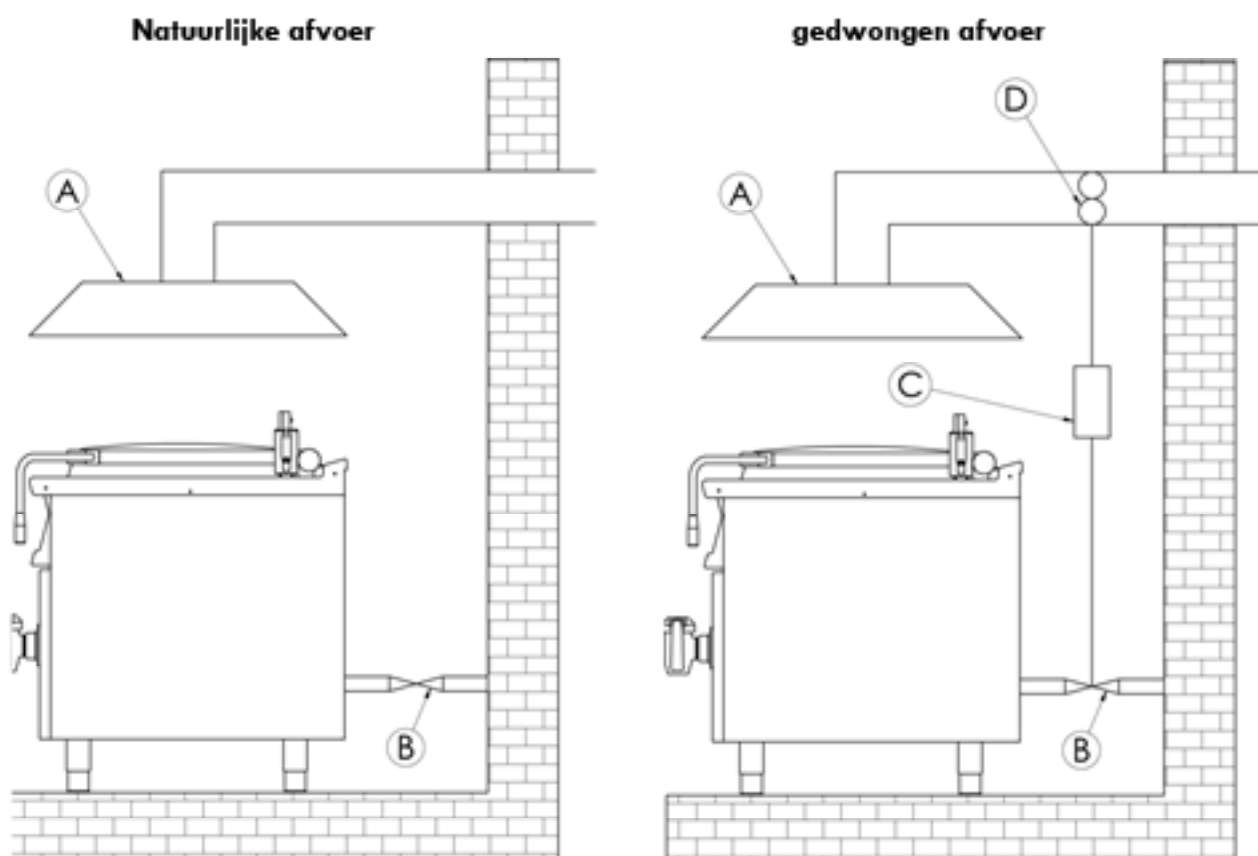
Het aansluiten van het apparaat op de gasleiding moet via een stalen of koperen slang uitgevoerd worden die overeenkomt met de toepasselijke nationale vereisten. De buis moet regelmatig gecontroleerd worden en indien nodig, vervangen worden. Elk apparaat moet uitgerust zijn met een afsluiter en een snelafsluiter. De snelafsluiter moet vrij toegankelijk en binnen handbereik van het apparaat zijn. Na het voltooiën van de installatie moet gecontroleerd worden of er geen gaslek is. Om een eventueel gaslek op te sporen, kunt u een sopje of detectiespray gebruiken.

Gebruik geen stoffen die corrosie veroorzaken! Alle onze apparaten worden zorgvuldig gecontroleerd. Gastype, druk en aanduiding van de betreffende categorie zijn vermeld op het typeplaatje.

Aansluiting op vloeibaar gas:

De druk voor de aansluiting op vloeibaar gas moet 28 of 30 mbar voor propaan/butaan en 37 mbar voor propaan zijn. Het is noodzakelijk het plaatje te controleren, de druk te meten en te controleren of de parameters van de gebruikte sproeier overeenkomen met de gewenste parameters van de sproeier, overeenkomstig de eisen van de fabrikant. Als de druk lager is dan 25 mbar of hoger dan 37 mbar, **MAG HET APPARAAT NIET AANGESLOTEN WORDEN**. Aansluiting op aardgas: De druk voor de aansluiting op methaan moet 18 of 20 mbar zijn. Het is noodzakelijk het plaatje te controleren, de druk te meten en te controleren of de parameters van de gebruikte sproeier overeenkomen met de gewenste parameters van de sproeier, overeenkomstig de eisen van de fabrikant. Als de druk lager is dan 15 mbar of hoger dan 22,5 mbar, **MAG HET APPARAAT NIET AANGESLOTEN WORDEN**

INSTRUCTIES VOOR HET UITVOEREN VAN GASAFVOER –TYPE A



Natuurlijke afvoer, gedwongen afvoer

De uitgang van de afzuigkap bevindt zich in een apart schoorsteenlichaam (A). Rookgasafvoer zorgt voor een natuurlijke trek van de schoorsteen.

De uitgang van de afzuigkap heeft geen natuurlijke afvoer. De rookgasafvoer wordt verzorgd door een ventilator (D), (gedwongen afvoer). In dit geval is het noodzakelijk om een aansluiting op de gastoevoer (B) te voorzien om de gastoevoer uit te schakelen bij een storing.

CONTROLEER HET GASTYPE WAARVOOR HET APPARAAT IS AFGESTELD

Onze toestellen zijn gecertificeerd en gereguleerd op aardgas (zie technische plaat). Ombouw of aanpassing aan een andere gassoort moet worden uitgevoerd door bevoegd personeel. Mondstukken voor verschillende gassoorten zitten in een zak die bij het gasfornuis wordt geleverd en zijn gemarkeerd in honderdsten van mm (tabel met technische gegevens leidingen).

Mondstuk vervangen en drukafstelling (afb.1, 2, 3)

Het zou als volgt moeten verlopen:

Verwijder het rooster van het bovenste deel van het fornuis, het hele bovenste deel van de brander en GN (opmerking 1, 2, 3, 4, afb.1)

Draai het mondstuk (opmerking 5, afb. 2, 3) los met een sleutel en vervang het door een ander door het gewenste type gas.

Voer de montage in omgekeerde volgorde uit. Zorg ervoor dat verschillende onderdelen nauw op elkaar aansluiten. De luchtregeling (afb. 3, opmerking 8) staat altijd volledig open.

De waakvlambrander kan zo worden afgesteld dat de veiligheidsmoer (opmerking 6, afb. 3) met een sleutel moet worden losgemaakt. Vervolgens met sleutelnummer het mondstuk vastbinden of losmaken (opmerking 7, afb. 3) en de vlam op de gewenste grootte afstellen.

Belangrijk:

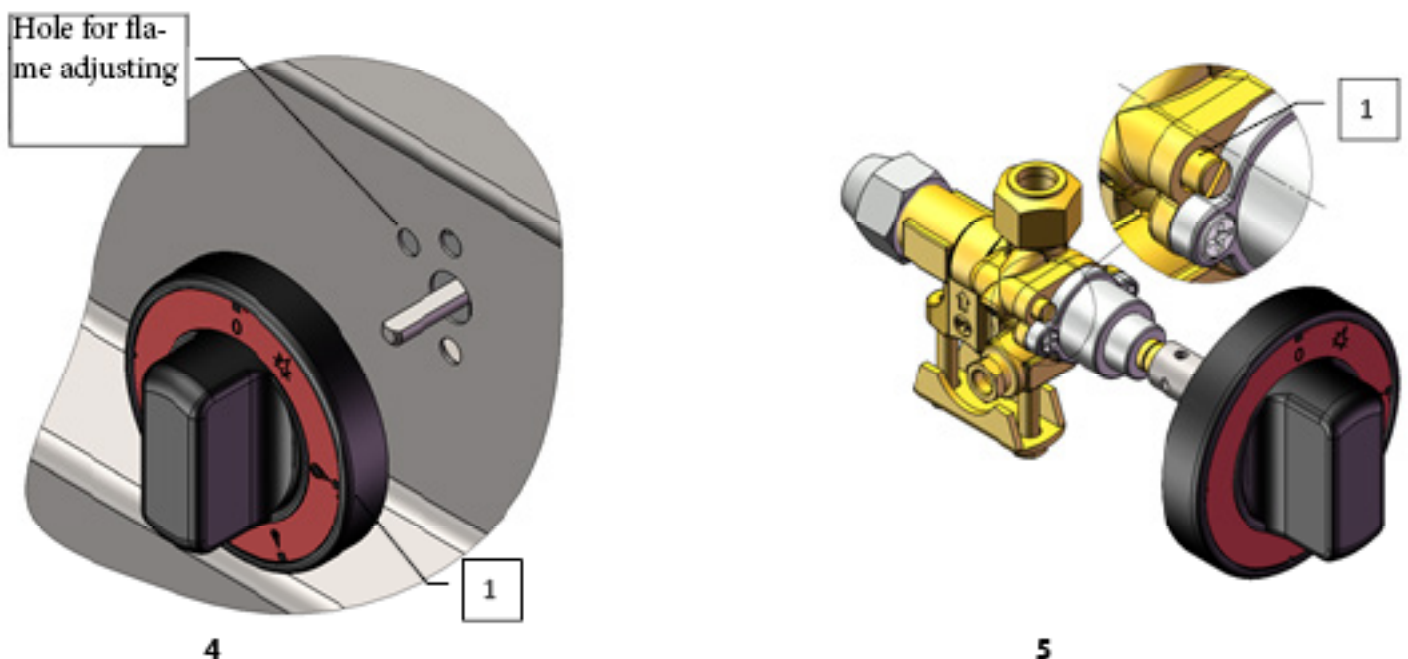
Nadat wat is gedaan om het apparaat af te stemmen op een ander type gas, is het noodzakelijk om het gas te vervangen dat is aangegeven op het technische plaatje dat zich op een zichtbare plaats op de achterkant van het apparaat bevindt.

Vlam aanpassen bij verminderde prestatie „SAVING”

Vlam bij verminderde prestatie „SAVING”, kan worden ingesteld met een schroef in het klephuis (opmerking 1, afb. 5) die naast de klepas is geplaatst

Ga voor het afstellen als volgt te werk:

- Verwijder de bedieningsknop (opmerking 1, afb. 4) door naar u toe te trekken
- Pas de vlam door het gat aan met een platte schroevendraaier



Gebruiksaanwijzing

Opgelet! Voordat u het apparaat gebruikt, moet u de beschermende folie van het gehele oppervlak verwijderen, het vervolgens goed met water en afwasmiddel wassen en daarna met een vochtige doek afnemen.

Ontsteking van de branders en vermogensregeling (afb. 1, 2)

Draai de regelknop van de kraan van de betreffende brander (A) naar de positie "ontsteking van de hoofdbrander". Houd na de ontsteking van de brander de knop nr. (A) nog enkele seconden ingedrukt voordat de thermische zekering opwarmt en laat daarna de knop los.

Herhaal de hele procedure als de vlam uitgaat.

Bediening van de elektrische oven:

Draai de knop B naar rechts om de ventilator van de oven in te schakelen. Dit wordt aangegeven door het groene controlelampje D. Stel opnieuw met behulp van de knop B de gewenste oventemperatuur in. Het oranje controlelampje C signaleert de werking van het verwarmingselement. Dit lampje gaat uit als de oven de ingestelde temperatuur bereikt. De knop E is een passieve timer die na het verstrijken van de ingestelde tijd alleen afgaat, maar de werking van de oven niet uitschakelt.

Verminderd vermogen "spaarmodus" (afb. 2)

Door de knop (1) naar de positie "spaarmodus" te draaien, stelt u het branden van de brander in spaarmodus in (verminderd vermogen)

De betreffende brander uitschakelen (afb. 2)

Draai gewoon de knop (1) naar de positie "0"

Instructie voor afvoer van de gas verbrandingsproducten

De apparaten van het type A (zie typeplaatje)

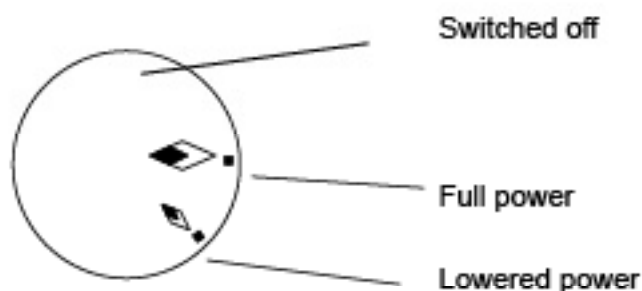
Een apparaat van het type A (d.w.z. het apparaat dat niet bedoeld is om te worden aangesloten op een verbrandingsgassen afvoer of op een andere voorziening voor het afvoeren van de verbrandingsgassen buiten de ruimte waar het apparaat zich bevindt) moet zodanig geïnstalleerd worden in een ruimte met voldoende ventilatie, die uitgevoerd is conform ČSN 12 7010:1986 a ČSN 12 7040:1986, om de ophoping van gezondheidsschadelijke stoffen in een onaanvaardbare concentratie in deze ruimte te voorkomen (het voldoen aan de vereiste van de hygiënevoorschriften inzake de werkomgeving vol. 39/78 van de richtlijn 46).

PICT. 1



- (A) BURNER CONTROL KNOB
- (B) THERMOSTAT
- (C) ORANGE INDICATOR
- (D) GREEN INDICATOR
- (E) PASSIVE TIMER

PICT. 2



REINIGING EN ONDERHOUD

Het apparaat moet ten minste 2x per jaar door een gespecialiseerde service gecontroleerd worden. Alle ingrepen aan het apparaat mogen slechts door een gekwalificeerd persoon worden uitgevoerd, die daartoe bevoegd is.

OPGELET! Het apparaat mag niet schoongemaakt worden met een directe waterstraal of met een hogedrukreiniger. Maak het apparaat elke dag schoon. Dankzij het dagelijks onderhoud bent u verzekerd van een lange levensduur en de efficiëntie van het apparaat. Controleer voordat u begint met schoonmaken of het apparaat is losgekoppeld van het elektriciteitsnet. Onderbreek altijd de stroomvoorziening van het apparaat. Maak de elementen van roestvrijstaal schoon met een vochtige doek en een klein beetje schoonmaakmiddel zonder schurende deeltjes en droog met een doek. Gebruik geen schurende of corrosieve schoonmaakmiddelen.

Opgelet! Voordat u het apparaat gebruikt, moet u de beschermende folie van het gehele oppervlak verwijderen, het vervolgens goed met water en schoonmaakmiddel wassen en daarna met een vochtige doek afnemen.

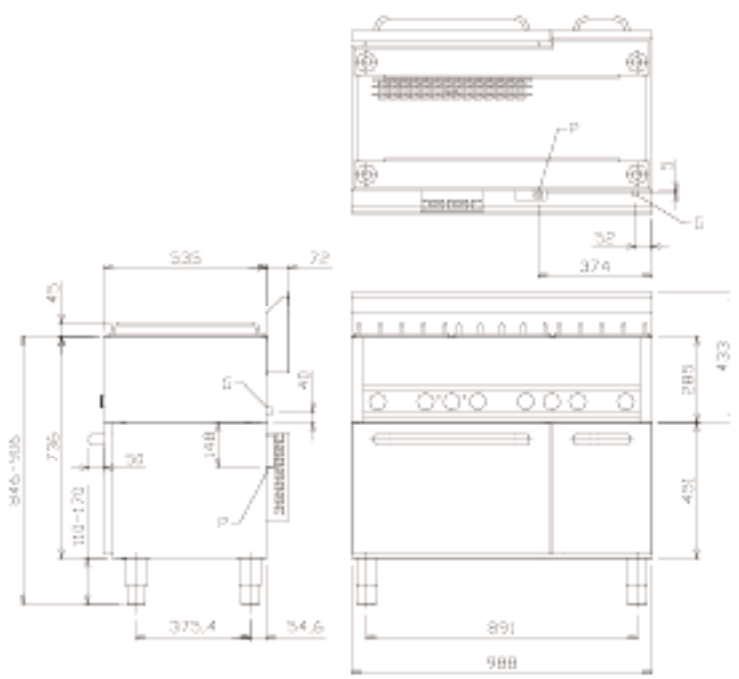
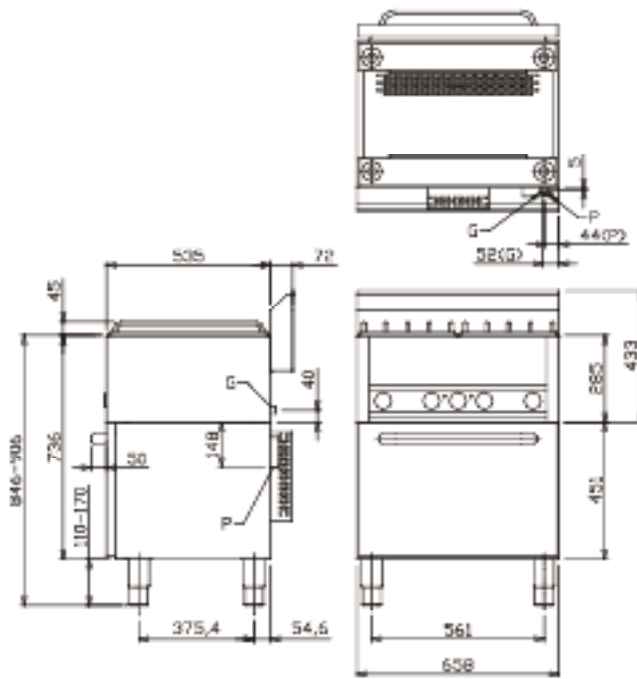
Maatregelen bij storingen Onderbreek de stroom-/gasvoorziening en neem contact op met de serviceafdeling van de verkoper.

De garantie dekt niet alle verbruiksartikelen die onderhevig zijn aan normale slijtage (rubber dichtingen, lampjes, glazen en plastic onderdelen enz.). De garantie strekt zich ook niet uit over apparaten die niet zijn geïnstalleerd door bevoegde personen in overeenstemming met de instructies in de gebruiksaanwijzing en de van toepassing zijnde normen en indien het apparaat onjuist is behandeld (ingrepen in binnenapparatuur enz.) of indien het apparaat bediend is door ongetraind personeel en in de strijd met de gebruiksaanwijzing. Verder dekt de garantie geen schade veroorzaakt door natuurlijke verschijnselen of andere externe invloeden.

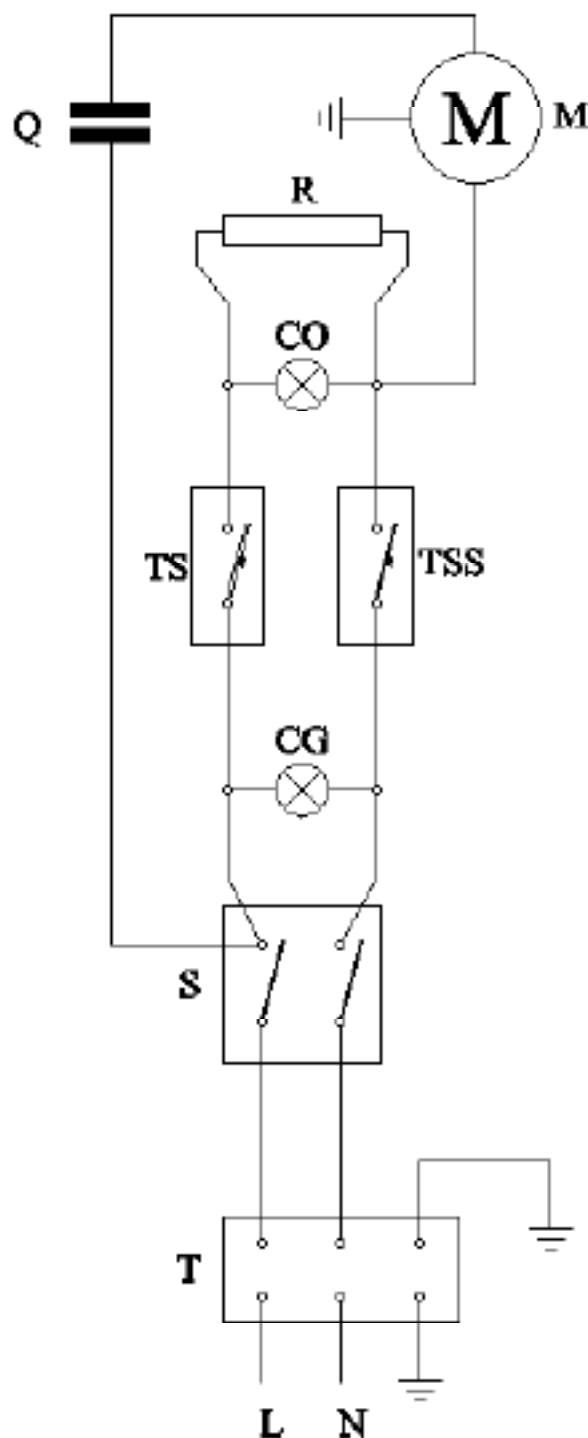
De transportverpakkingen en apparaten moeten aan het einde van hun levensduur aan een inzamelplaats overhandigd worden, in overeenstemming met de voorschriften voor afval en gevaarlijk afval beheer.

DIMENSIONS SPT 60 - GLS

DIMENSIONS SPT 90- GLS



**WIRING DIAGRAM / SCHALTPLAN / SCHÉMA DU ELECTRIQUE
CONVECTION OVEN / ELEKTRISCHEN BACKOFENS / FOUR DE CONVECTION**



	 ENGLISH 	 DEUTSCH 	 FRANÇAIS 
T	CONNECTOR	KLEMMLEISTE	RÉGLETTE À BORNES
S	SWITCH	SCHALTER	COMMUTEUR
CG	GREEN INDICATOR	GRÜNE KONTROLLEUCHE	TÉMOIN VERT
CO	ORANGE INDICATOR	ORANGE KONTROLLEUCHE	TÉMOIN ORANGE
TS	WORKING THERMOSTAT	ARBEITSTHERMOSTAT	THERMOSTAT DE TRAVAIL
TSS	SAFETY THERMOSTAT	SICHERHEITSTHERMOSTAT	THERMOSTAT FUSIBLE
Q	STARTING CAPACITOR	ANLAUFKONDENSATOR	CONDENSATEUR DE DÉMARRAGE
R	HEATING ELEMENT	HEIZKÖRPER	RÉSISTANCE DE CHAUFFE
M	FAN MOTOR	MOTOR DES VENTILATORS	TEMPORISATEUR PASSIF

PROHLÁŠENÍ O SOULADU S NORMAMI

Výrobce prohlašuje, že přístroje jsou v souladu s nařízením 2016/426/EU, zákonem č.22/1997 Sb. a č. 258/2000 Sb. o ochraně veřejného zdraví, vyhláškou č. 38/2001 Sb. a příslušnými nařízeními vlády. Instalace musí být uskutečněna s ohledem na platné normy.

Výrobce prohlašuje, že přístroje splňují základní požadavky směrnice 2014/35/EU (nařízení vlády č. 118/2016 Sb.) a požadavky směrnice 2014/30/EU (nařízení vlády č. 117/2016 Sb.).

Pozor, výrobce se vzdává jakékoli odpovědnosti v případě přímých i nepřímých poškození, které se vztahují ke špatné instalaci, nesprávným zásahem nebo úpravami, nedostatečnou údržbou, nesprávným používáním, a které jsou eventuálně způsobeny jinými příčinami, jež uvádí body uvedené v podmínkách prodeje. Tento spotřebič je určen pouze pro odborné používání a musí být obsluhován kvalifikovanými osobami. Části, které byly po nastavení zajištěny výrobcem nebo pověřeným pracovníkem, nesmí uživatel přestavovat.

TECHNICKÁ DATA

Typ výrobku	Napětí (V / Hz)	Příkon max. (kW)	Hofáky (kW)	Trouba (kW)	Rozměr zařízení (cm)
SPT - 60 GLS	230 / 50	18	4x 4,5	3,13	66 x 60 x 86-92 v
SPT - 62 GLS	230 / 50	16	2x 8	3,13	66 x 60 x 86-92 v
SPT - 90/5 GLS	230 / 50	22,5	5x 4,5	3,13	99 x 60 x 86-92 v
SPT - 90 GLS	230 / 50	27	6x 4,5	3,13	99 x 60 x 86-92 v
SPT - 93 GLS	230 / 50	24	3x 8	3,13	99 x 60 x 86-92 v

MODEL	TRYSKA	12,8 kWh/kg G 30/G 31 PROPAN / BUTAN 28 - 30 mbar	12,8 kWh/kg G 31 PROPAN 37 mbar	12,8 kWh/kg G 30/G 31 PROPAN / BUTAN 50 mbar	9,45 kWh/m ³ G 20 ZEMNÍ PLYN 20 mbar	9,45 kWh/m ³ G 25 ZEMNÍ PLYN 20 mbar	PŘIPOJNÁ TRUBKA PLYN
SPT - 60 GLS 4x 4,5 kW	TRYSKAHOŘÁKU 1/100 MM	105	105	90	160	170	G 1/2"
	SPOTŘEBA	1,42 kg/h	1,40 kg/h	1,40 kg/h	1,904 m ³ /h	2,216 m ³ /h	---
SPT - 90/5 GLS 5x 4,5 kW	TRYSKAHOŘÁKU 1/100 MM	105	105	90	160	170	G 1/2"
	SPOTŘEBA	1,78 kg/h	3,5 kg/h	3,5 kg/h	2,38 m ³ /h	2,77 m ³ /h	---
SPT - 90 GLS 6x 4,5 kW	TRYSKAHOŘÁKU	105	105	90	160	170	G 1/2"
	SPOTŘEBA	2,13 kg/h	4,2 kg/h	4,2 kg/h	2,856 m ³ /h	3,324 m ³ /h	---

Části, které byly nastaveny výrobcem, nebo servisním technikem při instalaci, nesmí být obsluhou přenastavovány.

Maximální a snížený jmenovitý tepelný příkon v kW je vztažen k Hi použitého plynu.

V případě připojení výrobku na LPG, musí být plynová láhev v dostatečně větraných místnostech.

Tabulka plynů, pro které je výrobek určen

Provedení	Kategorie výrobků	Připojovací přetlaky [mbar]	Použitý plyn	Země určení
A1	I2E	20	G20	DE, NL, PL, RO
	I2ELL	20, 20	G20, G25	DE
	I2E+	20/25	G20/G25	BE, FR
	I2H	25	G20	HU
	I2H	20	G20	AT, BG, CH, CZ, DK, HR, EE, ES, FI, GB, GR, IE, IT, LT, LV, NO, PT, RO, SE, SI, SK, TR, LU, CY, FR
	I2L	25	G25	FR
	I2L	20	G25	RO
	I2Lw	20	G27	PL
	I3B/P	30	G30	BG, CY, CZ, DK, GB, HR, EE, FI, FR, GR, HU, IT, LT, LV, MT, NL, NO, RO, SE, SI, SK, TR
	I3B/P	37	G30	PL
	I3B/P	50	G30	AT, DE, CZ, CH, FR, SK
	I3P	37	G31	BE, CH, CZ, ES, GB, GR, IE, RO, SI, SK, FR, NL, PT, HR, IT, LT, PL, TR
	I3+	28-30/37	G30	BE, CH, CY, CZ, EE, ES, FR, GB, GR, IE, IT, LT, PT, SI, SK, TR
	I12E3B/P	20, 50	G20, G30	DE, PL, RO
	I12ELL-3B/P	20, 20, 50	G20, G25, G30	DE
	I12E+3+	20/25, 28-30/37	G20/G25, G30	BE, FR
	I12E+3P	20/25, 37	G20/G25, G31	BE, FR
	I12H3B/P	20, 30	G20, G30	BG, CZ, GB, DK, HR, EE, FI, GR, IT, LT, LV, NO, RO, SE, SI, SK, TR, CY, FR
	I12H3B/P	20, 50	G20, G30	AT, CH, CZ, FR, SK
	I12H3P	20, 37	G20, G31	CH, CZ, ES, GB, GR, IE, RO, SI, SK
	I12H3+	20, 28-30/37	G20, G30	CH, CY, CZ, EE, ES, GB, GR, IE, IT, LT, PT, SK, SI, TR
	I12L3B/P	25, 30	G25, G30	NL
	I12L3B/P	25, 50	G25, G30	NL
	I12L3B/P	20, 30	G25, G30	RO
I12H-S3B/P	25, 25, 30	G20, G25.1, G30	HU	

KONTROLA OBALU A ZAŘÍZENÍ

Zařízení opouští naše sklady v řádném obalu, na kterém jsou odpovídající symboly a označení. V obalu se nachází odpovídající návod k obsluze. Jestliže by obal měl vykazovat špatné zacházení, známky poškození, musí se okamžitě reklamovat u přepravce a to sepsáním a podepsáním protokolu o škodě. Na pozdější reklamace nebude brán zřetel.

Důležité upozornění

Tento návod musí být řádně a pozorně přečten, protože obsahuje důležité informace o bezpečnostních prvcích, instalaci a použití.

- Výrobek je určen pouze k používání ve vnitřních prostorách.
- Nikdy spotřebič nepoužívejte, pokud má poškozený napájecí přívod nebo vidlici, pokud nepracuje správně, upadl na zem a poškodil se nebo spadl do vody. V takových případech zanechte spotřebič do odborného servisu k prověření jeho bezpečnosti a správné funkce
- Tato doporučení se vztahují na tento výrobek, nebo produktovou linii.
- Tento návod se musí řádně uschovat pro budoucí použití.
- Zabraňte dětem manipulovat s přístrojem.
- Při prodeji nebo přemístění je nutno se přesvědčit, že obsluha nebo odborný servis se seznámil s ovládáním a instalačními pokyny v příloženém návodu.
- Výrobek smí obsluhovat pouze obsluha, která se seznámila s tímto návodem k použití.
- Nesmí být spuštěn bez dozoru.
- Doporučuje se kontrola odborným servisem minimálně 2x ročně.
- Při eventuální opravě nebo výměně dílů musí být použity originální náhradní díly.
- Výrobek se nesmí čistit proudem vody nebo tlakovou sprchou.
- Při poruše nebo špatném chodu výrobku je nutné odpojit veškeré přívody (voda, elektřina, plyn) a zavolat autorizovaný servis.
- Výrobce se vzdává jakékoli zodpovědnosti při poruchách způsobenými chybnou instalací, nedodržením shora uvedených doporučení, jiným užíváním apod.
- Přístroj se smí používat pouze k účelu, ke kterému je určený, jiné použití je zakázané a může vést ke vzniku nebezpečí či úrazu
- Musí být zajištěno nej přísnější dodržování pravidel protipožární ochrany
- Za provozu a krátce po něm jsou některé části spotřebiče horké
- Je zakázáno se během provozu dotýkat jiných částí spotřebiče, než ovládacích prvků k tomu určených

UMÍSTĚNÍ

Ke správné činnosti a umístění spotřebiče je nutné dodržet následující směrnice dle norem TPG G 704 01, ČSN 127040 a ČSN 127010.

Rozbalte přístroj a zkontrolujte, zda se přístroj nepoškodil během přepravy. Umístěte přístroj na vodorovnou plochu (maximální nerovnost do 2°). Drobné nerovnosti lze vyrovnat regulovatelnými nožičkami.

Jestliže zařízení bude umístěno tak, že bude v kontaktu se stěnami nábytku, tyto musí odolávat teplotě až 60°C. Instalaci, seřízení, uvedení do provozu musí provést kvalifikovaná osoba, která má k takovýmto úkonům oprávnění a to dle platných norem.

Přístroj může být instalován samostatně nebo v sérii s přístroji naší výroby. Je nutno dodržovat minimální vzdálenost 10 cm od hořlavých materiálů. V tomto případě je nutné zabezpečit odpovídající úpravy, aby byla zabezpečena tepelná izolace hořlavých částí.

Spotřebič se musí instalovat pouze na nehořlavém povrchu nebo u nehořlavé stěny.

BEZPEČNOSTNÍ OPATŘENÍ Z HLEDISKA POŽÁRNÍ OCHRANY PODLE ČSN 061008 ČL. 21

- obsluhu spotřebiče smí provádět pouze dospělé osoby
- spotřebič smí být bezpečně používán v souladu s normami:
ČSN 33 2000-4-482: Ochrana proti požáru v prostorách se zvláštním rizikem nebo nebezpečím
ČSN 33 2000-4-42: Ochrana před účinky tepla

- spotřebič je nutné umístit tak, aby stál nebo visel pevně na nehořlavém podkladu

Na spotřebič a do vzdálenosti menší než bezpečná vzdálenost od něho nesmějí být kladeny předměty z hořlavých hmot (nejmenší vzdálenost spotřebiče od hořlavých hmot je 10 cm).

Tabulka: stupeň hořlavosti stavební hmoty zařazené do st. hořlavosti (ČSN 730823) hmot a výrobků

Stupeň hořlavosti	Stavební hmoty
A - nehořlavé	žula, pískovec, betony, cihly, keramické obkladačky, omítky
B - nesnadno hořlavé	akumin, heraklit, lihnos, itaver
C1 - těžce hořlavé	dřevo, listnaté, překližky sirkoklit, tvrzený papír, umakart
C2 - středně hořlavé	dřevotřískové desky, solodur, korkové desky, pryž, podlahoviny
C3 - lehce hořlavé	dřevovláknité desky, polystyrén, polyureten, PVC

• informace o stupni hořlavosti běžných stavebních hmot uvádí tabulka výše. Spotřebiče musí být instalovány bezpečným způsobem. Při instalaci musí být dále respektovány příslušné projektové, bezpečnostní a hygienické předpisy dle:

- ČSN 06 1008 požární bezpečnost lokálních spotřebičů a zdrojů tepla
- ČSN 33 2000-4-482 ochrana proti požáru v prostorách se zvláštním rizikem nebo nebezpečím
- ČSN 33 2000-4-42 ochrana před účinky tepla

INSTALACE

Důležité:

Výrobce neposkytuje žádnou záruku na závady, vzniklé v důsledku nesprávného používání, nedodržování instrukcí obsažených v příloženém návodu k použití a špatným zacházením se spotřebiči.

Instalaci, úpravy a opravy spotřebičů pro velkokuchyně, tak jako i jejich demontáž z důvodu možného poškození přívodu plynu, mohou být prováděny pouze na základě smlouvy o údržbě, tato smlouva může být uzavřena s autorizovaným prodejcem, přičemž musí být dodržovány technické předpisy a normy a předpisy týkající se instalace, elektrického přívodu, plynové přípojky a bezpečnosti práce.

Technické instrukce pro instalaci a seřízení, k použití POUZE pro specializované techniky.

Instrukce, které následují, se obrací k technikovi kvalifikovanému pro instalaci, aby provedl všechny operace způsobem co nejkorektnějším a podle platných norem.

Jakákoli činnost spojená s regulací apod. musí být vykonána pouze se zařízením odpojeným ze sítě. Je - li nutno udržovat spotřebič pod napětím je nutno dbát nejvyšší opatrnosti.

Typ spotřebiče pro provedení odtahu je deklarován na typovém štítku, jedná se o spotřebiče typu A1.

TRUBKA PRO PŘIPOJENÍ PLYNU

Plyn musí být připojen trubkou o maximální délce 1,5 metru z pozinkované oceli, mědi nebo ohebnou ocelovou hadicí a to v souladu s platnými normami dané země. Každý přístroj musí mít uzavíratelný kohout u přívodu, aby se dal snadno zastavit přívod plynu. Po instalaci přístroje musíme zkontrolovat případné úniky plynu. Nikdy nekontrolujte úniky otevřeným ohněm. Pro kontrolu úniku plynu je nutno použít materiály, které nezpůsobují korozi např. roztok mýdlové vody. Přístroje prošly důkladnou kontrolou u výrobce, údaje o druhu plynu, tlaku a typu přístroje jsou uvedeny na štítku s charakteristikami. Lahve na LPG musí být vybaveny regulátorem, který odpovídá přetlakům plynu na výrobním štítku zařízení v souladu s platnou legislativou dané země určení.

KONTROLA NASTAVENÍ PŘÍSTROJE NA DRUH PLYNU

Zkontrolujte, jestli je přístroj uzpůsoben na druh plynu, který používáte. Na štítku každého přístroje je napsán typ plynu na jaký je uzpůsoben.

POKYNY PRO PŘESTAVBU NA JINÉ DRUHY PLYNU

Přístroje jsou nastaveny a zkontrolovány na zemní plyn (viz. štítek přístroje). Přestavba na jiný druh plynu musí být vykonána kvalifikovanou osobou, trysky na jiný druh plynu jsou obsaženy v balíčku s návodem.

VÝMĚNA TRYSKY HLAVNÍHO HOŘÁKU (obr. 3 a 4)

Sejměte rošt a vrchní díly hořáku a nerezovou vanu (A). Odšroubujte trysku (D) a zašroubujte novou na požadovaný typ plynu viz tab. technických dat. Hořák nepotřebuje seřizovat přívod vzduchu. Vše vraťte zpět v opačné pořadí. Dbejte na to, aby všechny díly hořáku do sebe důkladně zapadly.

Důležité:

Po přestavbě přístroje na jiný druh plynu změňte tento údaj na štítku přístroje. Kontrola chodu přístroje :

- zkontrolujte případné úniky plynu
- zkontrolujte zažehnutí a plamen hlavního hořáku
- zkontrolujte a plamen hlavního hořáku na min.výkon (sporo)
- vyzkoušejte, jestli plamen hořáku olizuje termočlánek a je modrý
- uživateli se doporučuje při používání spotřebiče postupovat podle návodu

SEŘÍZENÍ PLAMENE PŘI SNÍŽENÉM VÝKONU (SPORO)

Plamen při nastavení kohoutu na min.výkon (sporo) se seřizuje šroubkem umístěným v těle kohoutu vedle hřídele kohoutu.

Pro seřízení postupujte takto:

- sejměte regulační knoflík kohoutu (tahem k sobě)
- vedle hřídele kohoutu je otvor pro seřízení
- pomocí malého plochého šroubováku seřídte plamen



otvor pro seřízení

NÁVOD K POUŽITÍ

Pozor! Než-li začnete přístroj používat, je nutné z celého povrchu sejmout ochranné fólie, a pak jej dobře omýt vodou se saponátem na nádobí, a poté otřít vlhkým hadrem.

Zapálení hořáku a regulace výkonu (obr. 1 ,2)

Dejte reg.knoflík kohoutu příslušného hořáku (A) do polohy " zapálení hlavního hořáku " a poté jej stiskněte a držte jej, několikrát stiskněte knoflík piezo zapalovače (B) dokud se nezapálí hořák. Po zapálení hořáku držte knoflík číslo (A) stisknutý ještě několik sekund, než se zahřeje termopojistka, poté knoflík uvolněte. Pokud plamen zhasne, celý postup opakujte.

Ovládání elektrické trouby:

Ovladačem B otočte doprava, zapnete tím ventilátor trouby. To signalizuje zelená kontrolka D. Opět pomocí ovladače B nastavte požadovanou teplotu prostoru trouby. Oranžová kontrolka C signalizuje chod topného tělesa a po jejím zhasnutí je trouba vyhřátá na nastavenou teplotu. Ovladač E je pasivní časovač, který po uplynutí nastavené doby pouze zazvoní, ale nevypne chod trouby.

Snížený výkon sporo (obr. 2)

Otočením knoflíku (1) do polohy " sporo " nastavíte hoření hořáku na sporo (snížený výkon)

Vypnutí příslušného hořáku (obr. 2)

Stačí otočit knoflíkem (1) do polohy " 0 "

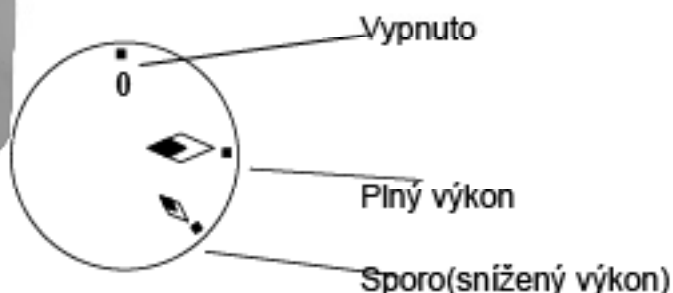
Návod na odtah spalin plynu

Přístroje typu A (viz štítek s charakteristikami) Spotřebič provedení A (t.j. spotřebič, který není určen ke spojení s kouřovodem, nebo jiným zařízením pro odvádění spalin mimo prostor, v němž je umístěn) musí být instalován v prostorech s dostatečným větráním, které je provedené dle ČSN 12 7010:1986 a ČSN 12 7040:1986 tak, aby se v těchto prostorech zabránilo hromadění zdraví škodlivých látek v nepřipustné koncentraci (zabezpečení požadavku hygienického předpisu na pracovní prostředí sv.39/78 směrnice 46.

POPIS OVLÁDÁNÍ OBR. 2)



- (A) ovládací knoflík hořáku
- (B) termostat
- (C) kontrolka oranžová
- (D) kontrolka zelená
- (E) pasivní časovač



ČIŠTĚNÍ A ÚDRŽBA

POZOR! Zařízení se nesmí čistit přímou nebo tlakovou vodou. Čistěte zařízení denně. Denní údržba prodlužuje životnost a účinnost zařízení. Sejměte rošt, který můžete mýt v myčce nádobí nebo ve dřezu. Nerezové části čistěte vlhkým hadrem se saponátem bez hrubých částíček, poté vše otřete vlhkým hadrem a vytřete do sucha.

RADY PRO ČIŠTĚNÍ URČITÝCH ČÁSTÍ

Hořáky:

Sundejte vrchní díl hořáku a rozprašovač plamene, dejte je odmočit do teplé vody a pečlivě je omýjte, dávejte pozor, aby se dovnitř hořáku nedostala nečistota nebo voda, protože by se mohla zacpat tryska.

Pozor! Než-li začnete přístroj používat, je nutné z celého povrchu sejmut ochranné fólie, a pak jej dobře omýt vodou se saponátem na nádobí, a poté otřít vlhkým hadrem.

Jak postupovat v případě poruchy?

Vypněte elektrický a plynový přívod a zavolejte servisní organizaci prodejce.

UPOZORNĚNÍ

Záruka se navztahuje na všechny spotřební díly podléhající běžnému opotřebení (gumová těsnění, žárovky, skleněné a plastové díly atd.). Záruka se též nevztahuje na zařízení pokud není provedena instalace v souladu s návodem – oprávněným pracovníkem dle odpovídajících norem a pokud bylo se zařízením neodborně manipulováno (zásahy do vnitřního zařízení atd.) nebo bylo obsluhováno nezaškoleným personálem a v rozporu s návodem k použití, dále se záruka nevztahuje na poškození přírodními vlivy či jiným vnějším zásahem.

Přepravní obaly a zařízení po ukončení životnosti odevzdejte do sběru, dle předpisů o nakládání s odpadem a nebezpečným odpadem.

OŚWIADCZENIE ZGODNOŚCI Z NORMAMI

Producent oświadcza, że urządzenia są wykonane według polskich norm i przepisów Unii Europejskiej. Montaż musi być przeprowadzony zgodnie z obowiązującymi normami, zwłaszcza w kwestii odpowiedniego wietrzenia pomieszczeń i systemu odprowadzenia spalin.

Uwaga!

Producent nie odpowiada za szkody wynikłe pośrednio lub bezpośrednio przez: złą instalację, niewłaściwą obsługę lub przeróbki, niedostateczną konserwację lub inne przyczyny niezgodne z punktami warunków sprzedaży. Urządzenie to przeznaczone jest do profesjonalnego użytkowania i musi być obsługiwane osobami o odpowiedniej kwalifikacji. Części, które były po nastawieniu zabezpieczone przez producenta lub pracownika serwisu nie mogą być zmieniane.

DANE TECHNICZNE

Tabliczka znamionowa znajduje się na tylnej części obudowy urządzenia. Przed instalacją zaleca się zapoznanie z instrukcją obsługi i wszystkimi niżej umieszczonymi informacjami.

Model	Napięcie (V / Hz)	Moc (kW)	Palniki (kW)	Piekarnik (kW)	Wymiary (cm)
SPT - 60 GLS	230 / 50	18	4x 4,5	3,13	66 x 60 x 86-92 v
SPT - 62 GLS	230 / 50	16	2x 8	3,13	66 x 60 x 86-92 v
SPT- 90/5 GLS	230 / 50	22,5	5x 4,5	3,13	99 x 60 x 86-92 v
SPT - 90 GLS	230 / 50	27	6x 4,5	3,13	99 x 60 x 86-92 v
SPT - 93 GLS	230 / 50	24	3x 8	3,13	99 x 60 x 86-92 v

Części, które zostały ustawione przez producenta lub technika serwisowego podczas instalacji, nie mogą być ponownie ustawiane przez operatora.

Maksymalny i zredukowany nominalny pobór ciepła w kW jest związany z Hi używanego gazu.

Jeśli produkt jest podłączony do zasilania gazem LPG, butla z gazem musi znajdować się w odpowiednio wentylowanym pomieszczeniu.

Tabela gazów, dla których przeznaczony jest wyrób

Provedení	Kategorie výrobků	Připojovací přetlaky [mbar]	Použitý plyn	Země určení
A1	I2E	20	G20	DE, NL, PL, RO
	I2ELL	20, 20	G20, G25	DE
	I2E+	20/25	G20/G25	BE, FR
	I2H	25	G20	HU
	I2H	20	G20	AT, BG, CH, CZ, DK, HR, EE, ES, FI, GB, GR, IE, IT, LT, LV, NO, PT, RO, SE, SI, SK, TR, LU, CY, FR
	I2L	25	G25	FR
	I2L	20	G25	RO
	I2Lw	20	G27	PL
	I3B/P	30	G30	BG, CY, CZ, DK, GB, HR, EE, FI, FR, GR, HU, IT, LT, LV, MT, NL, NO, RO, SE, SI, SK, TR
	I3B/P	37	G30	PL
	I3B/P	50	G30	AT, DE, CZ, CH, FR, SK
	I3P	37	G31	BE, CH, CZ, ES, GB, GR, IE, RO, SI, SK, FR, NL, PT, HR, IT, LT, PL, TR
	I3+	28-30/37	G30	BE, CH, CY, CZ, EE, ES, FR, GB, GR, IE, IT, LT, PT, SI, SK, TR
	II2E3B/P	20, 50	G20, G30	DE, PL, RO
	II2ELL-3B/P	20, 20, 50	G20, G25, G30	DE
	II2E+3+	20/25, 28-30/37	G20/G25, G30	BE, FR
	II2E+3P	20/25, 37	G20/G25, G31	BE, FR
	II2H3B/P	20, 30	G20, G30	BG, CZ, GB, DK, HR, EE, FI, GR, IT, LT, LV, NO, RO, SE, SI, SK, TR, CY, FR
	II2H3B/P	20, 50	G20, G30	AT, CH, CZ, FR, SK
	II2H3P	20, 37	G20, G31	CH, CZ, ES, GB, GR, IE, RO, SI, SK
	II2H3+	20, 28-30/37	G20, G30	CH, CY, CZ, EE, ES, GB, GR, IE, IT, LT, PT, SK, SI, TR
	II2L3B/P	25, 30	G25, G30	NL
	II2L3B/P	25, 50	G25, G30	NL
	II2L3B/P	20, 30	G25, G30	RO
	II2H-S3B/P	25, 25, 30	G20, G25.1, G30	HU

KONTROLA OPAKOWANIA I URZĄDZENIA

Urządzenie opuszcza zakłady odpowiednio zapakowane, właściwie oznakowane i etykietowane. Posiada również instrukcję obsługi. W przypadku, kiedy opakowanie nosioznaki niewłaściwego traktowania lub uszkodzenia, należy bezzwłocznie zgłosić ten fakt na piśmie u przewoźnika i podpisać protokół szkody.

Ważne

Niniejsza instrukcja powinna być przeczytana z uwagą, ponieważ zawiera ważne informacje bezpieczeństwa, montażu oraz obsługi.

-Produkt nie jest przeznaczony na zewnątrz - tylko do użytku w pomieszczeniach.

-Nigdy nie używaj urządzenia, jeśli przewód zasilający lub wtyczka zostały uszkodzone; jeśli nie działa prawidłowo, spadł na ziemię i został uszkodzony, lub wpadł do wody.

W takich przypadkach należy wezwać autoryzowany serwis lub dostarczyć urządzenie do serwisu, aby było możliwe sprawdzenie bezpieczeństwa i poprawności działania.

- należy uważnie zapoznać się z niniejszą instrukcją obsługi, ponieważ zawiera ona ważne informacje dotyczące elementów bezpieczeństwa, montażu i użytkowania

- podane zalecenia odnoszą się do opisanego produktu

- niniejszy produkt jest zgodny z obowiązującymi normami

- instrukcję należy zachować do przyszłego użytku

- produkt powinien znajdować się poza zasięgiem dzieci


- w razie sprzedaży lub przeniesienia produktu w inne miejsce, należy upewnić się, że personel obsługi oraz serwisanci zapoznali się z zaleceniami dotyczącymi obsługi i instalacji podanymi w załączonej instrukcji

- urządzenie mogą obsługiwać tylko upoważnione do tego osoby

- nie należy pozostawiać włączonego urządzenia bez nadzoru

- zalecamy, aby produkt był sprawdzany przez profesjonalny serwis przynajmniej raz w roku

- w razie napraw, należy używać wyłącznie oryginalnych części zamiennych

 - produktu nie należy czyścić strumieniami wody lub ciśnieniowo

- w razie uszkodzenia lub awarii, należy odłączyć wszystkie przewody zasilające (wodne, gazowe, elektryczne) i wezwać fachowy serwis

- producent nie bierze odpowiedzialności za szkody powstałe z powodu niewłaściwego montażu, nieprzestrzegania powyższych zaleceń, użytkowania niezgodnego z przeznaczeniem, itp.

- Produkt jest przeznaczony do użytku tylko w pomieszczeniach.

Nigdy nie używaj urządzenia, jeśli przewód zasilający lub wtyczka zostały uszkodzone, jeśli nie działa prawidłowo, spadł na ziemię i został uszkodzony lub wpadł do wody. W takich przypadkach należy zanieść urządzenie do specjalistycznej służby, aby sprawdzić jego bezpieczeństwo i prawidłowe działanie

INFORMACJA O INSTALACJI, UMIEJSCOWIENIE

Do regulacji i instalacji urządzenia jest konieczne, by pomieszczenie - kuchnia - było odpowiednio wietrzona (wg istniejących norm). Jeżeli urządzenie będzie umieszczone tak, że będzie stykać się ze ścianą pomieszczenia (kuchni), musi być ściana odporna na temperaturę powyżej 60°C.

Ważne jest by po odpakowaniu urządzenia, skontrolować czy urządzenie nie zostało uszkodzone w czasie transportu. Urządzenie umieścić na poziomej powierzchni (z max nierównościami do 2°). Drobne nierówności można wyrównać za pomocą nóżek.

Urządzenie może być instalowane oddzielnie lub w serii z innymi urządzeniami naszej produkcji. Jest ważne utrzymać odległość 10 cm od materiałów łatwopalnych. W takim przypadku ważne jest dodatkowe zabezpieczenie materiałami izolującymi.

Ważne

Producent nie odpowiada za usterki, które powstały na skutek nieodpowiedniej eksploatacji urządzenia wbrew instrukcji obsługi.

Poniższe instrukcje przeznaczone są dla wykwalifikowanego pracownika autoryzowanego serwisu, aby przeprowadził instalację w poprawny sposób, zgodnie z obowiązującymi normami.

Jakakolwiek regulacja powinna być przeprowadzona przy urządzeniu odłączonym od sieci. Jeśli jednak zaistnieje konieczność regulacji w trakcie pracy urządzenia, należy zachować szczególną ostrożność.

INSTALACJA

Instalacja, naprawy i ustawienia urządzeń do kuchni profesjonalnych i demontaż mogą być przeprowadzane tylko na podstawie umowy o utrzymywaniu. Taka umowa może być podpisana ze sprzedawcą urządzenia. Muszą być zachowane wszystkie normy i przepisy dotyczące instalacji i bezpieczeństwa pracy.

Wentylacja pomieszczenia musi być odpowiednio zaprojektowana, wg. istniejących przepisów i norm. Urządzenie może być zainstalowane samodzielnie lub w serii z innymi naszymi urządzeniami. Od ewentualnej ściany z łatwopalnego materiału musi być dotrzymany odstęp ponad 10cm.

PODŁĄCZENIE PRZEWODU ELEKTRYCZNEGO DO SIECI

Przewód elektryczny powinien posiadać oddzielny bezpiecznik, odpowiadający mocy instalowanego pieca. Moc urządzenia należy skontrolować na tabliczce znamionowej umieszczonej na bocznej ścianie urządzenia.

Przewód uziemiający musi być dłuższy od pozostałych przewodów. Urządzenie należy podłączyć bezpośrednio do sieci. Między urządzeniem a siecią należy zamontować wyłącznik zabezpieczający zgodny z normami. Przewód uziemiający (żółto-zielony) nie może być podłączony do tego wyłącznika.

Przewód elektr. powinien być umieszczony tak, aby w żadnym punkcie nie osiągnął temp. o 50° wyższej od otoczenia. Przed podłączeniem do sieci należy sprawdzić czy:

- bezpiecznik wewn. oraz instalacja są odpowiednie do obciążenia urząd.(patrz tabl. znam.)
- instalacja posiada uziemienie zgodne z normami
- wył. zabezp. jest łatwo dostępny

Producent nie ponosi odpowiedzialności w przypadku nie zachowania odpowiednich norm lub naruszenia w / w zasad.

Przed użyciem, urządzenie należy wyczyścić (patrz rozdz. czyszczenie i konserwacja). Urządzenie musi być uziemione za pomocą śruby z oznaczeniem uziemienia.



- Nie wkładaj wtyczki zasilania do źródła zasilania. szuflady i nie wyciągaj z el. gniazda z mokrymi rękami i ciągnąc za zasilaczem!
- Nie używaj przedłużaczy ani gniazd.

PRZYŁĄCZE GAZU

Gaz musi być przyłączony materiałami zgodnymi z obowiązującymi normami. Każde urządzenie musi być podłączone przez zawór gazowy, aby było możliwe odłączenie dopływu gazu w przypadku awarii. Po instalacji urządzenia należy sprawdzić czy nie występuje wyciek gazu. Nie należy sprawdzać wycieków gazu otwartym ogniem. Rodzaj gazu, na jaki zostało przystosowane urządzenie, jest wpisany na tabliczce znamionowej.

KONTROLA PODŁĄCZENIA WŁAŚCIWEGO TYPU GAZU

Sprawdzić, czy urządzenie jest przystosowane do typu podłączonego gazu - podłączony gaz powinien być zgodny z oznaczeniem na tabliczce znamionowej.

PODŁĄCZENIE INNEGO TYPU GAZU

Urządzenia są przystosowane do gazu ziemnego. Przesławienie urządzenia na inny typ gazu zasilającego może być wykonane jedynie przez wykwalifikowany personel autoryzowanego serwisu producenta. Dysze na propan-butan są dołączone do urządzenia w osobnym woreczku.

WYMIANA DYSZY PALNIKA GŁÓWNEGO (RYS. 3)

Zdjąć ruszt i górne części palnika oraz nierdzewną pokrywę (A). Odkręcić dyszę (D) i wkręcić nową - na właściwy typ gazu, zgodnie z tabelą danych technicznych. Nie trzeba ustawiać palnika. Wszystkie części zamontować na właściwe miejsce w odwrotnej kolejności niż były zdemontowane.

Ważne:

Po przestawieniu urządzenia na inny typ gazu należy zmienić opis na tabliczce znamionowej.



Kontrola pracy urządzenia:

- skontrolować ewentualne wycieki gazu
- skontrolować zapalanie i płomień głównego palnika
- skontrolować płomień głównego palnika przy pracy z minimalną mocą
- sprawdzić, czy płomień otacza termoparę i jest barwy niebieskiej
- zaleca się używać urządzenia zgodnie z instrukcją obsługi

USTAWIENIE MINIMALNEGO PŁOMIENIA (PRZY ZMNIEJSZONEJ MOCY)

Płomień minimalny ustawia się za pomocą śrubki znajdującej się w korpusie zaworu gazowego.

ABY WYREGULOWAĆ NALEŻY:

- zdjąć pokrętko regulacyjne (ciągnąć do siebie)
- małym śrubokrętem przez otwór regulacyjny ustawić płomień

INSTRUKCJA OBSŁUGI

INSTRUKCJA OBSŁUGI PIEKARNIKA

Pokrętko regulacji (B) przekręcić w prawo - włączy się wentylator piekarnika. Zaświeci się zielona kontrolka (D) która sygnalizuje, że wentylacja jest włączona. Za pomocą pokrętki regulacji (B) ustawić żadaną temperaturę. Zaświeci się pomarańczowa kontrolka (C) która zgaśnie gdy piec nagrzej się do ustawionej temperatury. Za pomocą pokrętki (E) możemy ustawić czas po którym urządzenie wyda sygnał dźwiękowy (piekarnik nie wyłącza się wtedy samoistnie).

ZAPALENIE PALNIKA

Przekręcić pokrętko regulacji (A) do połowy a następnie nacisnąć i przytrzymać. Zapali się płomień palnika pilotującego, który będzie widoczny przez otwór kontrolny w przednim panelu. Należy jeszcze przez kilka sekund przytrzymać naciśnięte pokrętko (A), aby termopara nabrała odpowiedniej temperatury, a następnie puścić pokrętko. Jeśli płomień palnika pilotującego zgaśnie, czynność należy powtórzyć.

ZMNIEJSZENIE WIELKOŚCI PŁOMIENIA

Przekręcić pokrętko (A) na symbol mniejszego płomienia.

OPIS PANELU STEROWANIA (RYS. 3)



CZYSZCZENIE I KONSERWACJA

Zaleca się kontrolę urządzenia przez profesjonalny serwis 2 razy w roku. Wszystkie interwencje w urządzeniu może przeprowadzać tylko przeszkolona osoba, która ma wymagane do tego uprawnienia.

Uwaga! Przed rozpoczęciem używania urządzenia należy ściągnąć z całej powierzchni folię ochronną oraz przemyć urządzenie wodą z płynem do naczyń, a następnie przetrzeć wilgotną szmatką.

- Czyszczenie przede wszystkim powierzchni, która jest w kontakcie z żywnością musimy przeprowadzać codziennie i bardzo dokładnie.
- Części nierdzewnych nie wolno czyścić pastami gruboziarnistymi lub środkami agresywnymi.
- Do czyszczenia nie używać papierów ściernych.
- W razie silnego zabrudzenia powierzchni dopuszczalne jest użycie gąbki z utwardzoną powierzchnią.
- Urządzenie czyścić wyłącznie zimne - w przeciwnym wypadku grozi to oparzeniem.
- W czasie dłuższej przerwy w eksploatacji urządzenia należy je zakonserwować olejem jadalnym i wyłączyć zasilanie elektryczne.
- Urządzenia nie należy czyścić wodą pod ciśnieniem (z węża).



W razie awarii:

Odłączyć zasilanie elektryczne. Wezwać autoryzowany serwis.

GWARANCJA

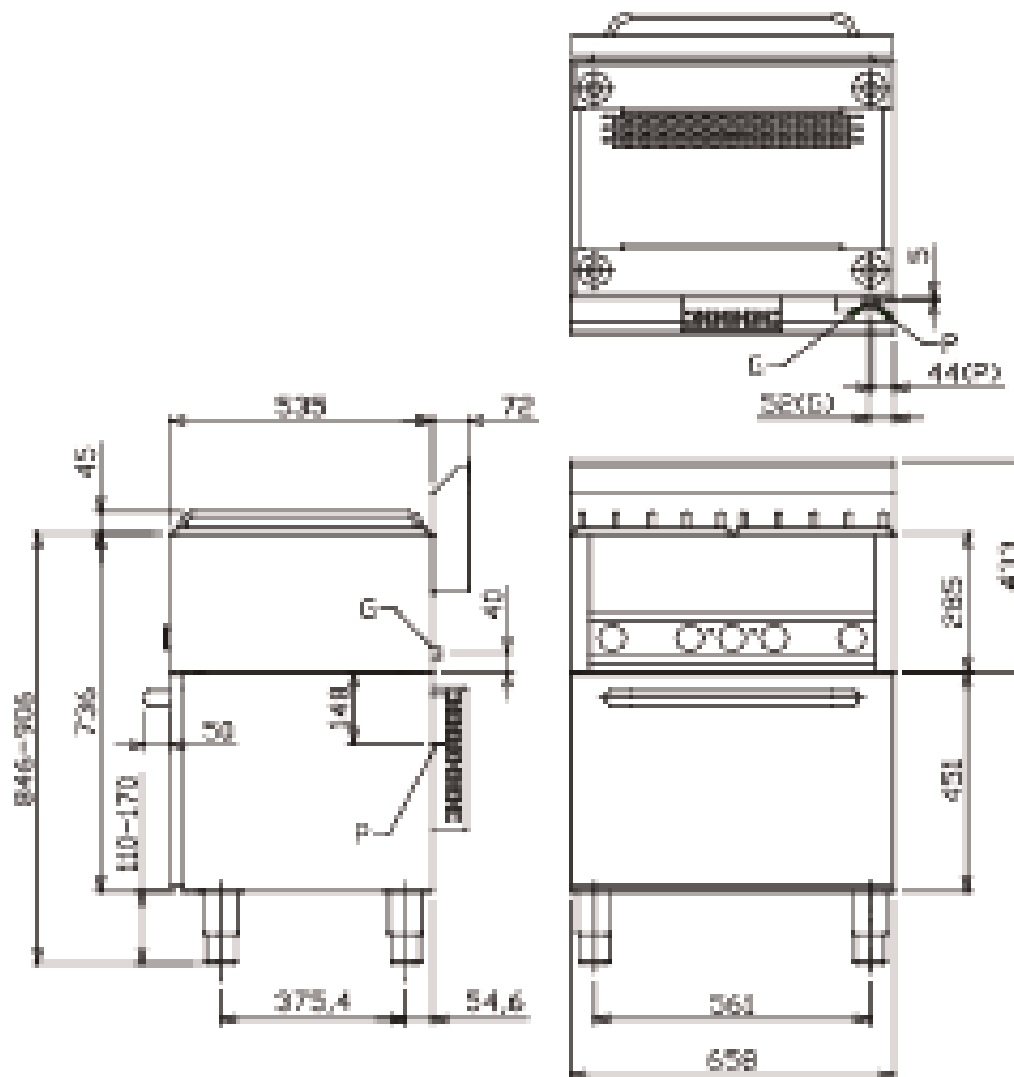
Gwarancja nie obejmuje żadnych części, które podlegają naturalnemu zużyciu (uszczelki, żarówki, części plastikowe i szklane itp.) Gwarancja nie obejmuje również urządzenia jeśli podłączone było nie zgodnie z instrukcją lub przez osoby nie posiadające odpowiednich uprawnień. Gwarancja nie obejmuje uszkodzeń spowodowanych warunkami atmosferycznymi lub przez osoby trzecie.

Seznam dílů pro výměnu

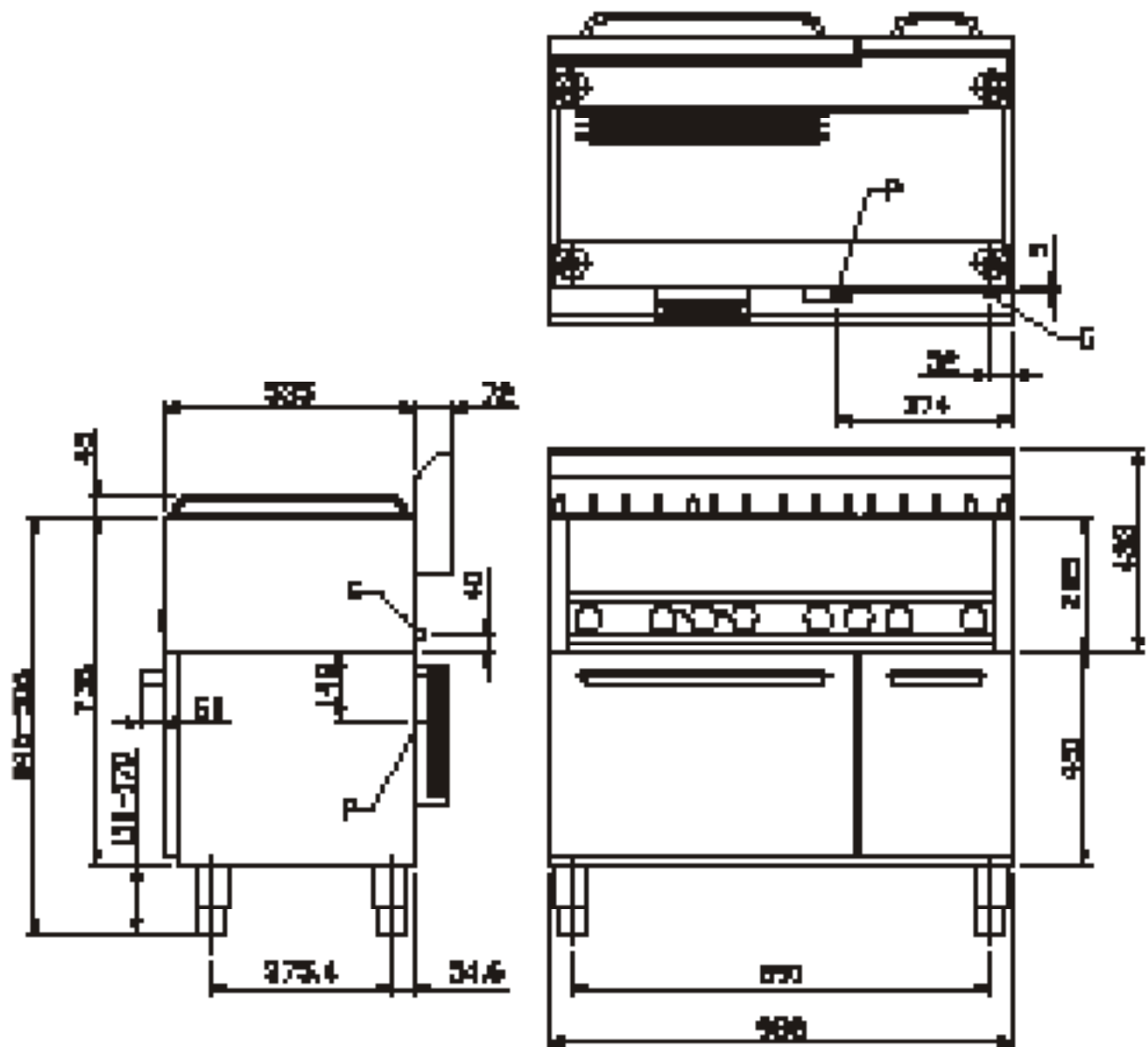
Zkratka 1	Název zboží
403000200	Motor ventilátoru PT
401590400	Kondenzátor motoru PT
401033000	Topné těleso PT 3000 W
402512201	Termostat pojistný 360 °C Digicont
402006112	Vnitřní kabeláž M112
403000250	Oběžné kolo ventilátoru PT
402594026	Samolep. etiketa se stupnicí SP-GS
402594022	Samolep. etiketa se stupnicí FT-E
402594000	Regulační knoflík BR-E
402503150	Termostat pracovní 50-300°C 1 fáz. PT
401506000	Vypínač otočný k termostatu 60 - 310°C BR
402005121	Vnitřní kabeláž H121
402005122	Vnitřní kabeláž H122
402005123	Vnitřní kabeláž H123
402006110	Vnitřní kabeláž M110
402006111	Vnitřní kabeláž M111
401515210	Kontrolka kulatá bílá FE ECO
401515150	Kontrolka kulatá zelená LED
404050200	Termočlánek FAST 600xM8 GL-RM
404000105	Hořák SPG-S 4,5 kW
404000109	Hořák SPG-S 4,5 kW - redukce prům.8 mm

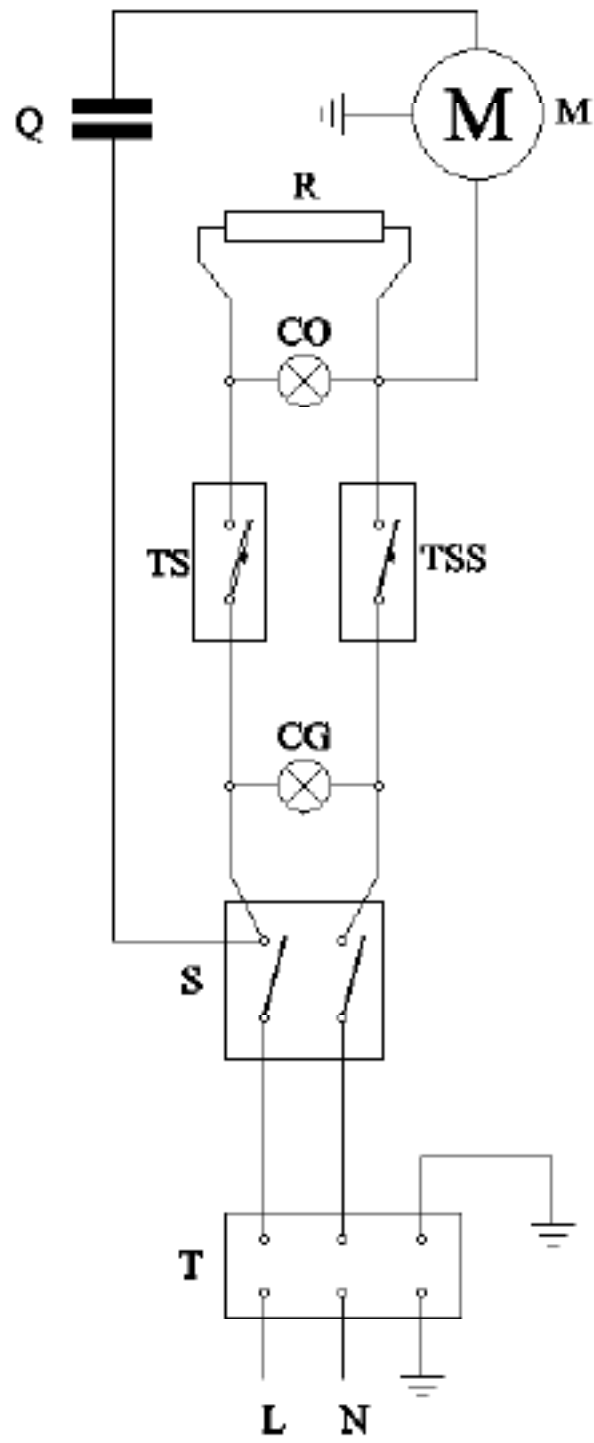
RYSUNEK WYMIAROWY

SPT - 60,62 GLS



SPT - 90, 93, 90/5 GLS






GWARANCJA I SERWIS

Gwarancja nie obejmuje żadnych części, które podlegają naturalnemu zużyciu (uszczelki, żarówki, części plastikowe i szklane itp.) Gwarancja nie obejmuje również urządzenia jeśli podłączone było niezgodnie z instrukcją lub przez osoby nie posiadające odpowiednich uprawnień. Gwarancja nie obejmuje uszkodzeń spowodowanych warunkami atmosferycznymi lub przez osoby trzecie.

Warunkiem koniecznym do udzielenia gwarancji jest prawidłowo wypełniona karta gwarancyjna.

 Dokumentten dostarcza i wypełnia firma montująca i serwisująca urządzenie.



KARTA GWARANCYJNA

Producent: RM GASTRO s.p.a. Wrocław, ul. Łódzka 1	Typ urządzenia:	Model urządzenia:
Numer seryjny:		
Nazwa firmy:	Data montażu:	Przebieg czasu montażu:
KAZUJĄCY		Przebieg:
Data i nazwa / adres firmy:		Przebieg: (wzrost, zmniejszenie, itp.)
Adres:		
Serwis		
Wzrost:	Przebieg (zmniejszenie):	Przebieg (zmniejszenie):
Przebieg (zmniejszenie):	Przebieg (zmniejszenie):	Przebieg (zmniejszenie):
Przebieg (zmniejszenie):	Przebieg (zmniejszenie):	Przebieg (zmniejszenie):
Przebieg (zmniejszenie):	Przebieg (zmniejszenie):	Przebieg (zmniejszenie):

wzór karty gwarancyjnej

- Jeśli podczas rozmowy telefonicznej z serwisem RM GASTRO POLSKA klient udzieli mylnej informacji mającej znaczenie podczas montażu, dodatkowo wykonane usługi zostaną zafakturowane (przyłącze elektryczne, podłączenie wodno-kanalizacyjne).
- Wykaz części i materiałów eksploatacyjnych jest dostępny u producenta.

RM GASTRO jako producent udziela gwarancji, która jest realizowana przez diler (firmę sprzedającą urządzenie). W przypadku gdy diler nie jest w stanie dokonać naprawy lub wymiany gwarancyjnej prosimy o bezpośredni kontakt z importerem.

RM GASTRO Polska Sp. z o. o.
ul. Skoczowska 94
43-450 Ustroń
(33) 854 73 26
info@rmgastro.pl
www.rmgastro.pl

.....
.....
.....
.....
.....

.....



Producer of Catering Equipment

EU - Deklaracja zgodności

EU - Declaration of Conformity

On our own responsibility we declare that all mentioned products
Na własną odpowiedzialność deklarujemy, że wszystkie przedstawione produkty

Type of equipment Typ urządzenia	Gas range - Line 600
Trademark Znak komercyjny	RM / REDFOX
Type designation Oznaczenie modelu	SP-30GL, SP-60GL, SP-90/5GL, SP-90GL, SP-30GLS, SP-60GLS, SP-90/5GLS, SP-90GLS, SP-30/1GLS, SP-31GLS, SP-60/2GLS, SP-62GLS, SP-90/3GLS, SP-93GLS
Producent Manufacturer	RM Gastro s. r. o.
Address Adres	Klarienská 154, 252 01 Jeneč, Czech Republic

Above listed product(s) is(are) in compliance with these standards:
spełniają poniższe normy techniczne

Standards:

EN 203-1:2014

EN 203-2-1:2014

Certificate:

E-30-00524-18 (GAR)

Notice of Ministry of healthcare 38/2001 Sb.
Regulation no: 1935/2004/ES

The products fulfill the requirements §28 directive no.258/2000 in valid
The products fulfill the requirements regulation RoHS 2011/85/EU.
są zgodne z dyrektywami

The product used according to our recommendations is safe. We used all the safeguards that are consistent for all types of equipment put on the market.

Produkt używany zgodnie z naszymi zaleceniami jest bezpieczny. Zastosowaliśmy wszelkie zabezpieczenia, które są zgodne dla wszystkich typów urządzeń dopuszczonych do obrotu.

Date: 21.4.2018

Imienny podpis osoby odpowiedzialnej: David Riedel prokurent
Personal signature of the person responsible:



RM GASTRO POLSKA
Spółka z o.o.
ul. Skoczowska 94
43-450 USTRON
Tel/Fax (033) 854 73 26, 854 70 52
NIP 873-28-77-942

RM GASTRO POLSKA adres: Skoczowska 94, 43-450 Ustron, POLSKA • tel: +48 33 854 73 26 • fax: +48 33 854 70 52
e-mail: info@rmgastro.pl • www: www.rmgastro.pl • wp: 873-28-77-942 • REGON: 852521340
Numer KRS 0000026898 Sądu Rejonowego w Bielsku - Białej, VIII Wydział Gospodarczy Krajowego Rejestru Sądowego
Wysokość kapitału zakładowego : 100 000 zł

DECLARAȚIE DE CONFORMITATE CU NORMELE

Producătorul declară că aparatele sunt conforme cu normele 2009/142/ES, 2004/108/ES, 2006/95/ES, cu legea nr. 22/1997 sb., nr. 258/2000 sb., nr. 616/2006 sb., 17/2003 sb. și cu prevederile relevante ale Guvernului. Instalarea trebuie efectuată în conformitate cu normele actuale. Atenție, producătorul nu-și asumă răspundere în cazuri de defecțiuni directe sau indirecte, datorate instalării sau modificărilor incorecte, întreținerii necorespunzătoare, utilizării defectuoase, sau care sunt rezultatul altor cauze decât cele menționate în punctul despre condițiile vânzării. Acest aparat este destinat exclusiv spre utilizare specializată și trebuie deservit de către personal calificat. Piesele, care au fost sigilate de către producător sau un lucrător împuternicit în acest sens nu pot fi remontate

DATE TEHNICE

Menționăm faptul că echipamentul cu caracteristicile tehnice descrise în prezentul manual nu se încadrează în categoria echipamentelor pentru uz casnic, echipamentul fiind destinat în exclusivitate uzului comercial de către personal calificat

MODEL	DUZA ARZĂTORULUI	12,8 kWh/kg G 30/G 31 PROPAN / BUTAN 28 - 30 mbar	12,8 kWh/kg G 31 PROPAN 37 mbar	12,8 kWh/kg G 30/G 31 PROPAN / BUTAN 50 mbar	9,45 kWh/m ³ G 20 NATURALE GAZ 20 mbar	9,45 kWh/m ³ G 25 NATURALE GAZ 20 mbar	CUPTOR PUTERE
SP - 60 GLS 4x 4,5 kW	DUZA ARZĂTORULUI 1/100 MM	105	105	90	160	170	G 1/2"
	KONSUM	1,40 kg/h	1,40 kg/h	1,40 kg/h	1,904 m ³ /h	2,216 m ³ /h	---
SP - 90/5 GLS 5x 4,5 kW	DUZA ARZĂTORULUI 1/100 MM	105	105	90	160	170	G 1/2"
	KONSUM	1,775 kg/h	1,775 kg/h	1,775 kg/h	2,38 m ³ /h	2,77 m ³ /h	---
SP - 90 GLS 6x 4,5 kW	DUZA ARZĂTORULUI 1/100 MM	105	105	90	160	170	G 1/2"
	KONSUM	2,13 kg/h	2,13 kg/h	2,13 kg/h	2,856 m ³ /h	3,324 m ³ /h	---
SP - 93 GLS 3x 8 kW	DUZA ARZĂTORULUI 1/100 MM	105	105	90	160	170	G 1/2"
	KONSUM	1,83kg/h	1,83kg/h	1,83kg/h	2,59 m ³ /h	2,91 m ³ /h	---
SP - 62 GLS 2x 8 kW	DUZA ARZĂTORULUI 1/100 MM	105	105	90	160	170	G 1/2"
	KONSUM	1,22	1,22	1,22	1,73	1,94	---

VERIFICAREA AMBALAJULUI ȘI APARATULUI

Aparatul iese din depozitele noastre ambalat în mod reglementar, cu indicarea simbolurilor și însemnelor corespunzătoare. Ghidul de deservire corespunzător se găsește în ambalaj. Dacă ambalajul prezintă semne de manevrare necorespunzătoare sau urme de deteriorare, este necesar de atenționat transportatorul și de a face un proces verbal de deteriorare.

Avertismente importante

- Acest ghid trebui citit cu atenție pentru că conține informații importante despre securitate, instalare și utilizare
- Următoarele recomandări se aplică acestui produs
- Produsul este conform cu normele actuale
- Acest ghid trebuie păstrat pentru utilizarea ulterioară
- Împiedicați manipularea aparatului de către copii
- La vânzare sau relocare asigurați-vă că deservirea aparatului va fi efectuată în conformitate cu instrucțiunile din ghidul anexat
- Produsul poate fi deservit doar de către personalul instruit
- Poate fi utilizat doar pentru prepararea produselor alimentare
- Să nu fie lăsat fără supraveghere
- Se recomandă o inspectare specializată minim 1 data pe an
- În cazul unei reparații piesele trebuiesc înlocuite doar cu piese de schimb originale
- A nu se curăța produsul cu jet direct de apă sau apă sub presiune
- În caz de defectare sau disfuncție a aparatului se cere de a deconecta orice alimentare (apă, electricitate, gaz) și de apelat la un servis autorizat
- Producătorul nu-și asumă răspundere în cazul defecțiunilor datorate instalării incorecte, nerespectării avertismentelor susmenționate, utilizării în alte scopuri, etc.

INSTALAREA

Instrucțiuni tehnice pentru instalare și reglare

Destinat DOAR utilizării de către tehnicieni specializați.

Instrucțiunile următoare sunt destinate tehnicianului calificat pentru reparație: Toate operațiunile trebuie sa fie efectuate cât mai atent și în conformitate cu normele actuale!!!

Important:

Orice activitate de reglare a aparatului trebuie efectuată după deconectarea acestuia de la rețeaua electrică. Dacă e nevoie de lăsat aparatul sub tensiune, se cere să fiți mai atenți!

AMPLASAREA

Pentru asigurarea funcționalității aparatului, spațiul (bucătăria) unde va fi amplasat acesta trebuie sa fie bine aerisit (referitor la aceasta: tehnicianul să urmeze normele actuale ale ČSN)

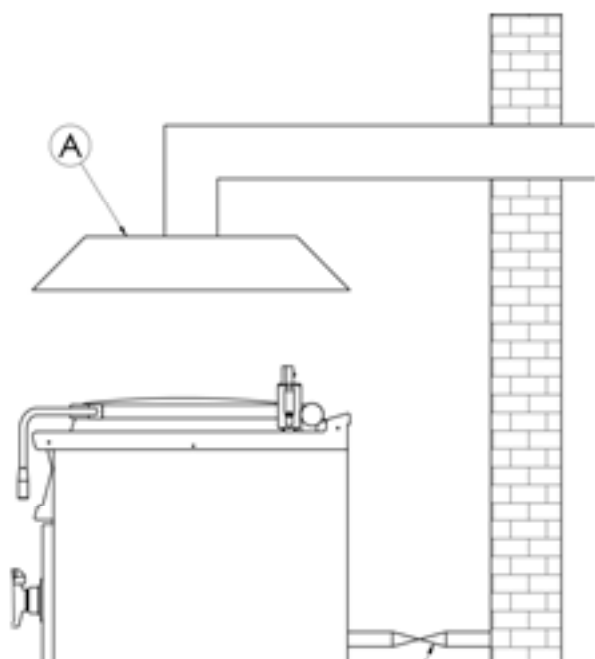
Dacă aparatul e instalat în așa fel încât are contact cu suprafața mobilierului, acestea trebuie sa fie rezistente la temperaturi de 60°C. Instalarea, reglarea și darea în exploatare trebuie să fie efectuate de către o persoană calificată, care este autorizată în acest sens și în conformitate cu normele în vigoare.

Despachetați aparatul și verificați dacă nu a fost avariat în timpul transportării. Amplasați aparatul pe o suprafață orizontală (deviere maximă până la 2°). Amplasați aparatul sub hotă ca să fie eliminat mirosul și aburii.

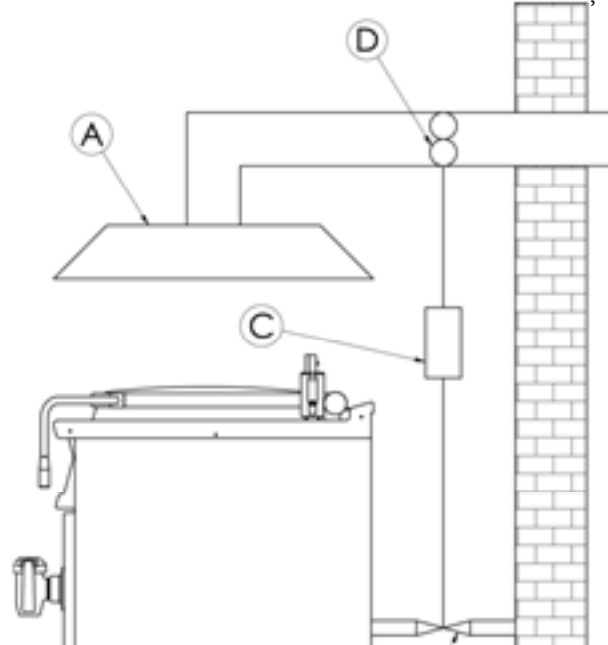
Aparatul poate fi instalat separat sau în serie cu alte produse din gama noastră. Este necesar de a păstra o distanță minimă de 10cm de alte obiecte și de a evita contactul cu obiectele inflamabile. În astfel de cazuri se cere izolarea termică a pieselor inflamabile.

EVACUAREA GAZELOR DE ARDERE

DESUFUMARE NATURALĂ



DESUFUMARE FORȚATĂ



Racordul nișei este într-un corp de coș separat (A). Evacuarea gazelor de ardere este asigurată de tiraj natural al coșului.

Racordul nișei este prevăzut fără desfumare naturală. Evacuarea gazelor de ardere este asigurată cu ajutorul ventilatorului (D), (DESUFUMARE FORȚATĂ). În acest caz este strict necesar a se asigura interconectarea cu admisiunea gazelor (B) pentru oprirea admisiunii gazelor în caz de întrerupere de alimentare.

CONTROLUL RANDAMENTULUI TERMIC

Consumatoare electrice trebuie să fie controlate pentru a se verifica randamentul lor termic:

Randamentul termic este însemnat pe plăcuța matricolă sau îl puteți regăsi în prezentul manual de instrucțiuni. Întâi de toate, trebuie verificat dacă consumătorul electric este fabricat pentru același tip de gaz care va fi utilizat și prin urmare corespunde cu marcajul de pe plăcuța privind tipul de gaz care va fi utilizat. Pentru transformarea cazanului pentru un alt tip de gaz, trebuie controlat dacă corespunde tipul de gaz marcat cu acela care este recomandat în acest manual.

Pentru transformarea cazanului pentru un alt tip de gaz, trebuie controlat dacă corespunde tipul de gaz marcat cu acela care este recomandat în acest manual. Presiunea se măsoară cu manometru de o necesară sensibilitate. Manometrul se conectează pe locul aferent, de aceea trebuie deșurubat șurubul cu închidere ermetică și conectat manometrul. După încheierea măsurării trebuie înșurubat șurubul înapoi și verificată etanșeitatea.

MĂSURI DE SECURITATE DIN PUNCT DE VEDERE AL PROTECȚIEI ÎMPOTRIVA INCENDIILOR CONFORM CSN EN 061008 ȚL. 21:

- Deservirea aparatului trebuie să fie asigurată de către persoane mature
 - Aparatul poate fi utilizat fără pericol în condiții obișnuite conform EN 332000-1
 - Aparatul trebuie amplasat în așa fel încât să fie fixat pe un suport neinflamabil
- Se interzice amplasarea obiectelor inflamabile pe aparat, precum și în apropierea acestuia la distanțe mai mici decât cele recomandate (distanța minimă recomandată este de 10cm)
- Distanțele sigure față de obiectele inflamabile și informațiile despre gradul de combustibilitate a materialelor de construcție sunt indicate în tabel

Tabel:

Gradul de combustibilitate a materialelor de construcție (EN 730823) după substanțe și produse

A neinflamabil	granit, var, beton, cărămidă, gresie ceramică, tencuiala
B greu inflamabile	placă fibrolemnoasă, fibre minerale
C1 dificil inflamabil	lemn, foioase, hârtie întărită, placaj
C2 mediu inflamabil	plăci aglomerate din aşchii de lemn, plăci din plută, cauciuc, pardoseala din PVC
C3 ușor inflamabil	placi fibrolemnoase, polistiren, poliuretan, PVC

Aparatul trebuie instalat într-un mod sigur. În timpul instalării trebuie respectate prevederile de siguranță, proiectare și igienă în conformitate cu:

- EN 06 1008 securitatea de incendiu a dispozitivelor locale și surselor de căldură
- EN 33 2000 mediul înconjurător pentru aparate electrice (33 2000-4-42; 33 2000-4-482)

ȚEAVA PENTRU GAZ:

Aparatul poate fi alimentat cu gaz doar prin țevă din oțel zincat, cupru sau țevă flexibilă din oțel și în conformitate cu normele în vigoare. Fiecare aparat trebuie dotat cu un robinet pentru conducta de gaz, ca să fie posibilă oprirea imediată a alimentării cu gaz. După instalarea dispozitivului trebuie verificate eventualele scurgeri de gaze. Să nu verificați scurgerile cu o sursă deschisă de foc, folosiți materiale ce nu generează coroziune. Puteți folosi, de exemplu, o soluție de apă cu săpun. Aparatele au fost verificate de către producător, detalii despre tipul gazului, presiune și tipul aparatului le veți găsi pe plăcuța cu caracteristici.

Racordare la gaz lichid:

Presiunea pentru racordarea la sursă de gaz lichid trebuie să fie de 28 sau 30 mbar pentru propan butan și de 37 mbar pentru propan. Trebuie verificată plăcuța matricolă, măsurată presiunea și controlați parametrii duzei instalate cu parametrii duzei solicitați conform cerințelor fabricantului. Dacă presiunea este mai mică decât 25 mbar sau mai mare decât 37 mbar, CONSUMĂTORUL NU POATE FI RACORDAT

Racordare la gaz metan:

Presiunea pentru racordarea la sursă de metan trebuie să fie de 18 sau 20 mbar. Trebuie controlată plăcuța matricolă măsurată presiune și controlați parametrii duzei instalate cu parametrii solicitați ai duzei conform cerințelor fabricantului/ Dacă presiunea este mai mică decât 15 mbar sau mai mare decât 22,5 mbar CONSUMĂTORUL NU POATE FI RACORDAT

Înlocuirea duzei arzătorului principal

Scoateți sita și piesele superioare ale arzătorului și baia de inox. Deșurubați duza și înlocuiți-o cu una nouă pentru tipul de gaz necesar (vezi tabelul cu date tehnice). Nu se cere reglarea alimentării cu aer a arzătorului principal. Instalați totul la loc în ordinea inversă. Fiți atenți ca toate piesele arzătorului să fie bine fixate între ele.

Reglarea flăcării în regim de putere redusă (econom):

Atunci când robinetul este reglat pe poziția de putere redusă (econom), flacăra se reglează cu șurubul amplasat în corpul robinetului lângă arborele robinetului.

Pentru setare procedați în felul următor:

- Îndepărtați mânerul de reglare a robinetului (trageți spre sine)
- Lângă arborele robinetului se află orificiul pentru reglare
- Cu ajutorul unei șurubelnițe plate mici reglați flacăra

Important:

După readaptarea aparatului modificați datele de pe plăcuța aparatului

CONECTAREA CABLULUI ELECTRIC LA REȚEA

Instalarea alimentării cu electricitate: conexiunea trebuie asigurată de sine stătător cu o siguranță corespunzătoare și în funcție de tensiunea aparatului instalat. Tensiunea aparatului poate fi verificată pe plăcuța producătorului din partea de spate a aparatului. Conectați aparatul direct la rețea și plasați un întrerupător între aparat și rețea, respectând distanța minimă de 3mm între contacte, și care să corespundă cu normele în vigoare și cu sarcina de lucru. Firul de împământare (galben-verzui) nu trebuie afectat de acest întrerupător.

În orice caz cablul de alimentare trebuie amplasat în așa fel încât temperatura lui să nu depășească în nici un loc cu 50 de grade pe cea a mediului înconjurător. Înainte de a conecta aparatul la rețea asigurați-vă că:

- Siguranța alimentării și distribuția internă vor rezista la sarcina aparatului (vezi plăcuța)
- Conductoarele sunt împământate corespunzător, conform normelor (CSN) și prevederilor legale
- Priza sau întrerupătorul alimentării sunt ușor accesibile

Nu ne asumăm nici un fel de răspundere în cazul nerespectării acestor norme și în cazul încălcării principiilor enunțate mai sus.

Înainte de prima utilizare îndepărtați folia protectoare de pe aparat și curățați-l așa cum scrie în capitolul „curățare și întreținere”.

Atenție!

Înainte de a utiliza dispozitivul, acesta trebuie bine spălat cu un material umezit în apă cu soluție de săpun. Apoi uscați bine. Nu lăsați dispozitivul în funcțiune fără supraveghere.

Atenție! În cazul în care arzătorul va fumega după prima punere în funcțiune, este necesar a fi lăsat să funcționeze o oră în gol, până nu dispăre mirosul.

Aprinderea aragazului principal și reglarea temperaturii

Rotiți mânerul de reglare a robinetului (A) până în poziția "aprinderea aragazului principal", apoi apăsați și fixați-o, apăsați de câteva ori butonul piezoelementului (A) până când se aprinde aragazul principal. După aprindere mai țineți apăsat butonul (A) încă câteva secunde, până când se încălzește termosiguranța, apoi eliberați butonul. Dacă flacăra se va stinge, repetați întregul procedeu.

- capacitatea redusă economă

Prin rotirea mânerului (A) în poziția "econom" reglați arderea arzătorului în regim econom (capacitate redusă)

- oprirea întregului dispozitiv

Este suficient de rotit mânerul (A) până în poziția "0"



Pornirea și setarea cuptorului de convecție

În cazul în care butonul de control este rotit spre dreapta, ventilator în cuptorul este pornit. Acest lucru este semnalizat de lumina verde de control.

La continuarea rotirii spre dreapta putem seta temperatura dorită pentru cuptorul de convecție.

Încălzirea acestuia este semnalizată de lumina de control portocaliu. Atunci când temperatura dorită a fost atinsă, lumina portocalie se stinge. Pentru a opri cuptorul cu convecție, rotiți butonul de control la poziția 0.

CURĂȚARE ȘI ÎNTREȚINERE

Este recomandat de a inspecta aparatul, cel puțin o dată pe an, de către un servis specializat. Orice intervenții asupra aparatului pot fi operate doar de către o persoană calificată, autorizată în acest sens.

ATENȚIE!!!

Este interzisă curățarea aparatului sub jetul de apă sau apă sub presiune. Curățați aparatul zilnic. Întreținerea zilnică prelungește eficiența și funcționalitatea aparatului. Înainte de a curăța aparatul, asigurați-vă că acesta este deconectat de la rețeaua electrică. Întotdeauna să opriți alimentarea principală a aparatului. Părțile de inox curățați-le cu o cârpă umedă cu soluție de săpun și fără particule tari, iar uscați-le prin ștergere. Nu folosiți soluții de curățat abrazive sau corozive. Înlăturați toate resturile de mâncare de pe suprafața de lucru, posibil și cu ajutorul unui șpaclu.

Suprafața interioară a tigăii curățați cu ștergător din plastic sau cu burete și detergenți curenți (a nu se utiliza obiecte metalice). Stratul subțire de culoare mai închisă de pe fundul tigăii nu îndepărtați fără rost, căci formează un strat de protecție a suprafeței. După spălarea, fundul tigăii din nou îngrijit cu ulei de masă. După curățarea cuvei, repuneți toate în poziția inițială. Capacul lăsați deschis, încât aerul să poată circula în vasul

-Dacă aparatul nu va fi folosit pentru o perioadă lungă de timp:

-Neapărat închideți admisiunea apei și a gazelor

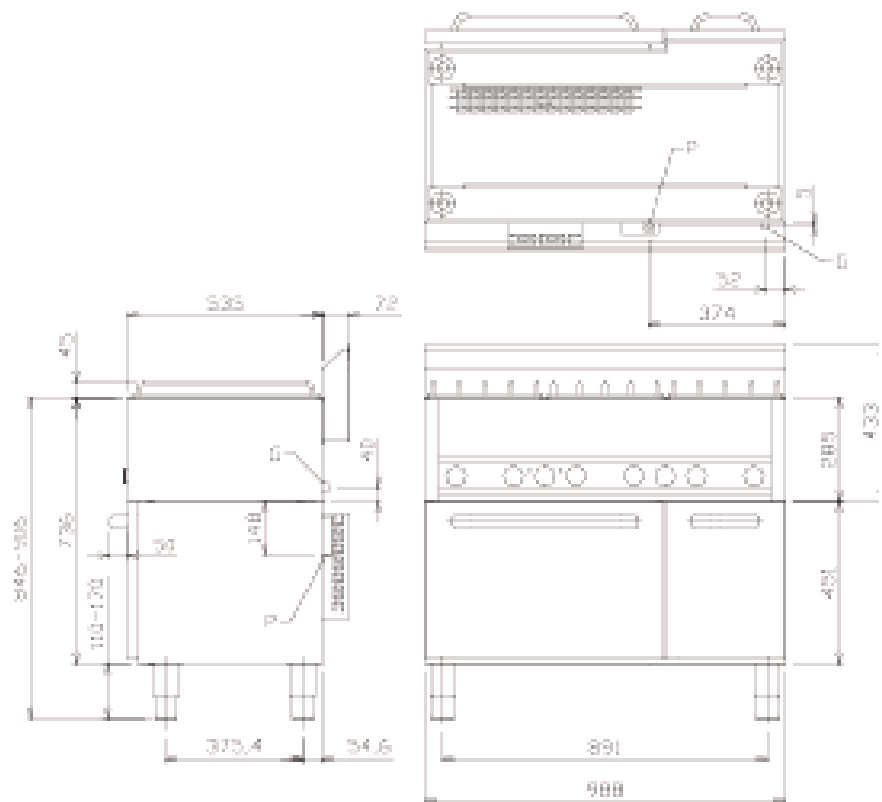
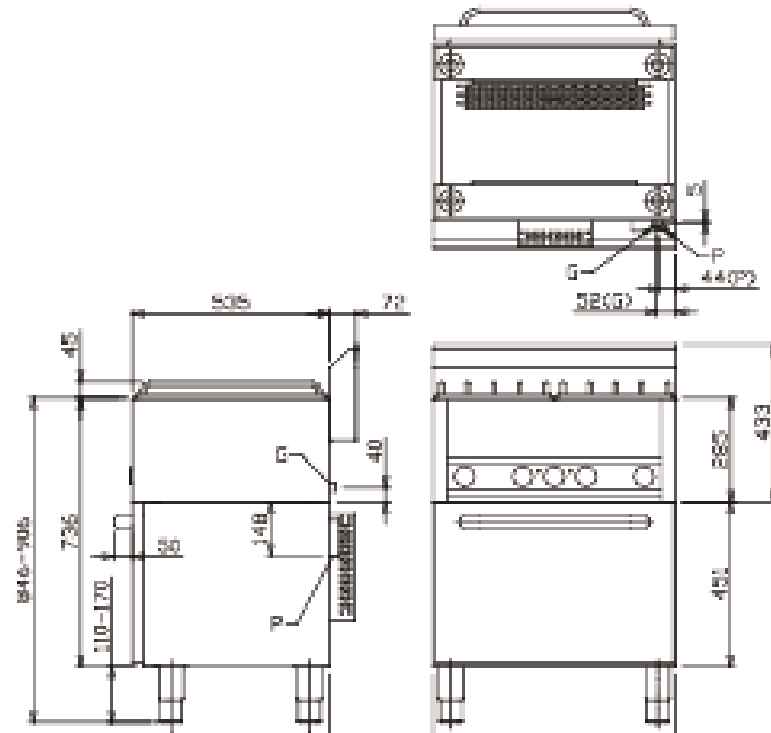
-Dacă aparatul nu va fi folosit pentru o perioadă lungă de timp, curățați cuva și conservați baza cu ulei

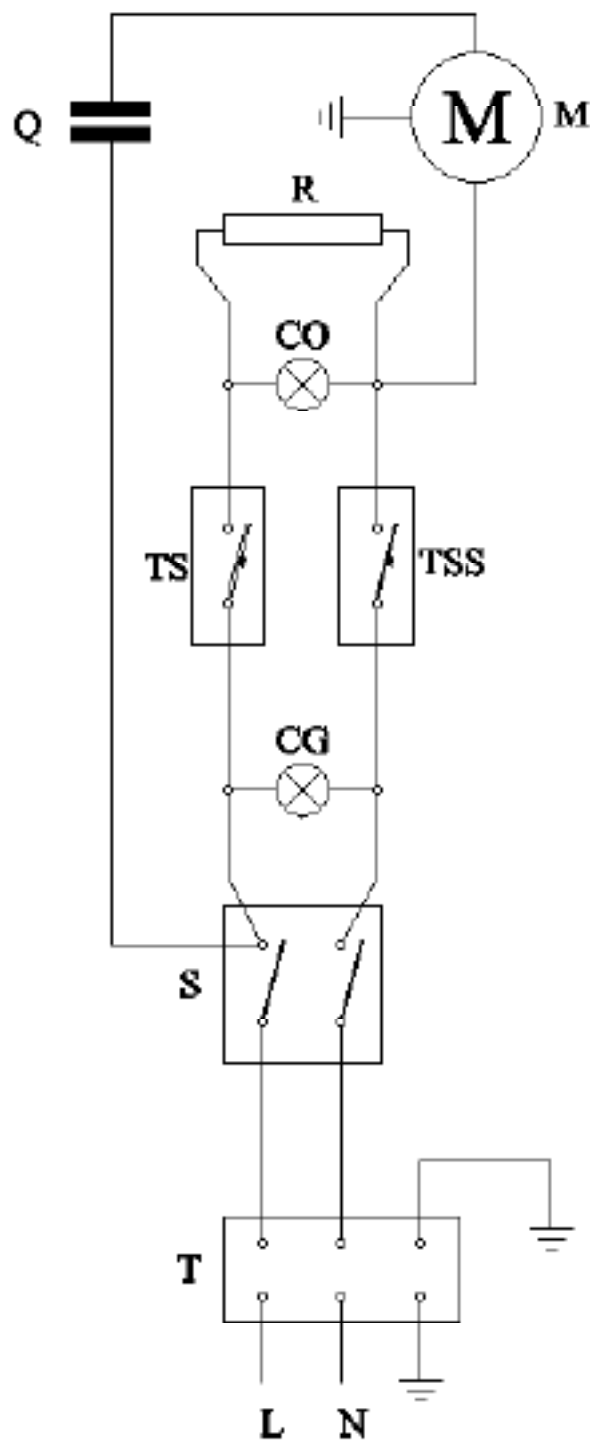
Procedeu în caz de disfuncție a aparatului

Opriți alimentarea cu electricitate și apelați servisul vânzătorului.

ATENȚIONARE

Garanția nu acoperă piesele consumabile care se uzează prin utilizare (garniturile din cauciuc, becurile, părțile din plastic și sticle, etc.). De asemeni garanția nu se aplică aparatelor a căror instalare a fost efectuată contrar normelor (de către o persoană autorizată conform normelor în vigoare) și nici în cazul manipulării defectuoase (intervenții în interiorul aparatului etc.) sau dacă a fost deservit de către personal neinstruit și contrar ghidului de utilizare. Garanția nu se aplica defectelor datorate efectelor naturii sau forței majore.





	 ENGLISH 	 DEUTSCH 	 FRANÇAIS 
T	CONNECTOR	KLEMMLEISTE	RÉGLETTE À BORNES
S	SWITCH	SCHALTER	COMMULATEUR
CG	GREEN INDICATOR	GRÜNE KONTROLLLEUCHE	TÉMOIN VERT
CO	ORANGE INDICATOR	ORANGE KONTROLLLEUCHE	TÉMOIN ORANGE
TS	WORKING THERMOSTAT	ARBEITSTHERMOSTAT	THERMOSTAT DE TRAVAIL
TSS	SAFETY THERMOSTAT	SICHERHEITSTHERMOSTAT	THERMOSTAT FUSIBLE
Q	STARTING CAPACITOR	ANLAUFKONDENSATOR	CONDENSATEUR DE DÉMARRAGE
R	HEATING ELEMENT	HEIZKÖRPER	RÉSISTANCE DE CHAUFFE
M	FAN MOTOR	MOTOR DES VENTILATORS	TEMPORISATEUR PASSIF

List of service organizations:

CZ: RM GASTRO CZ s. r. o., Náchodská 818/16, Praha 9

Tel. +420 281 926 604, info@rmgastro.cz, www.rmgastro.cz

SK: RM Gastro Slovakia, Rybárska 1, Nové Město nad Váhom

Tel.: +421 32 7717061, obchod@rmgastro.sk, www.rmgastro.sk

PL: RM GASTRO Polska Sp. z o. o., ul. Skoczowska 94, 43-450 Ustroń

Tel.: +33 854 73 26, www.rmgastro.pl